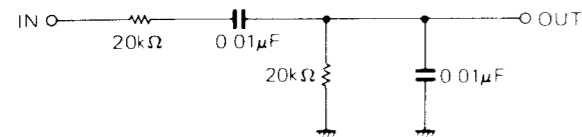


2. ADJUSTMENT METHOD

• Cautions

1. Turn the power OFF before removing the bonnet.
2. See Figure 2-1 for the locations where adjustments are to be carried out.
3. Use the EIAJ test disc CD-1.
4. The following band pass filter (BPF) is used for adjustments.

Band Pass Filter (BPF)

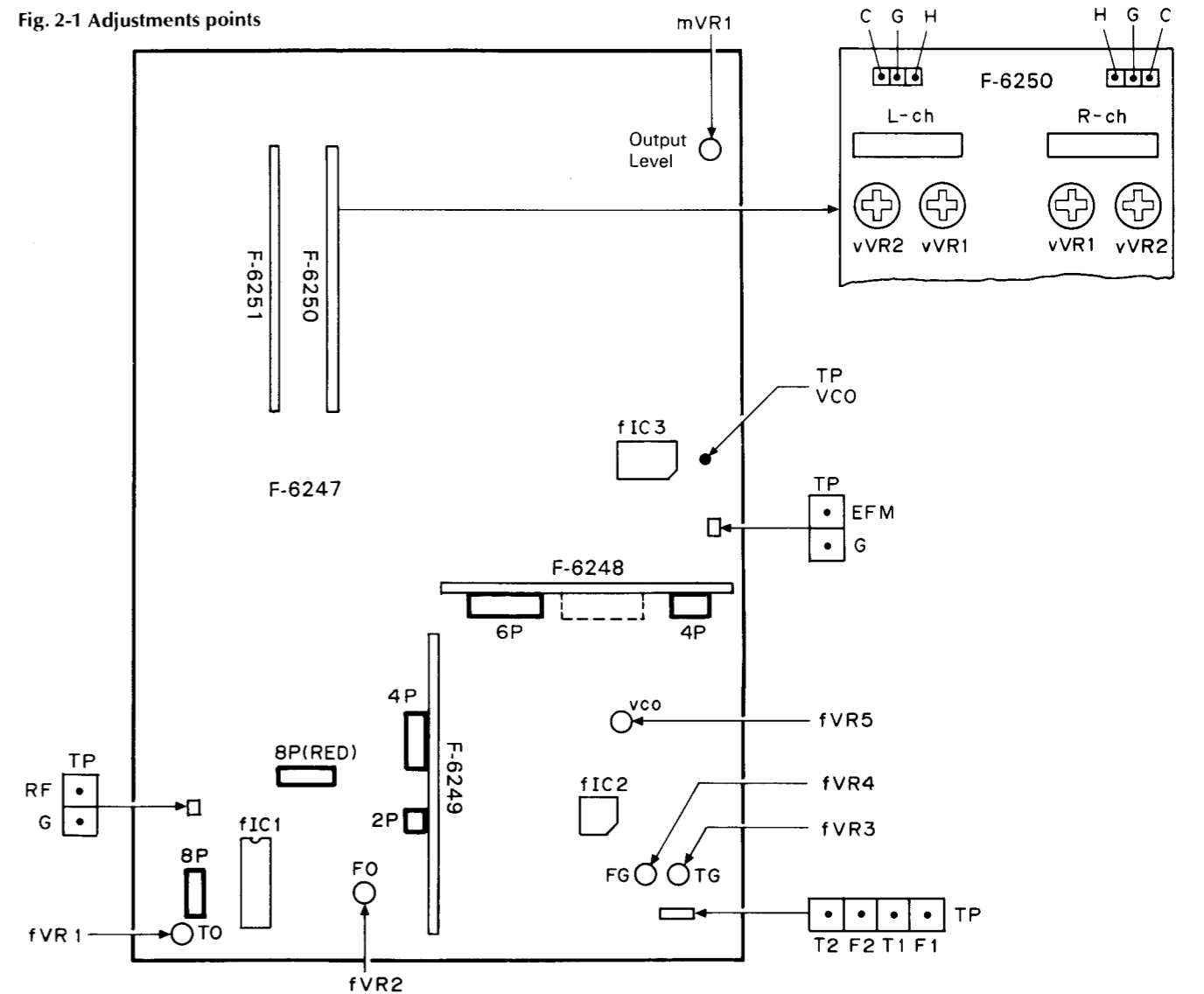


5. If the adjustment is unsatisfactory and playback is not possible, adjust as follows:
 - 1) Set fVR1, fVR2, fVR3 and fVR4 to their mid points.
 - 2) Adjust the VCO (fVR5) and select playback.
 - 3) Carry out adjustment steps 2 to 5.
6. In executing steps 2 to 5, connect the probe after playing the disc.

Step	Item	Measuring Location	Adjustment Location	Adjustment	Conditions and Notes
1	VCO adjustment (carry out in STOP state)	Connect a frequency counter to TP (VCO).	fVR5(VCO)	4.32MHz±30Hz	<ul style="list-style-type: none"> • Ground EFM of TP. • Turn ON the power then wait at least 10 seconds before adjusting.
2	Tracking offset adjustment	Connect an oscilloscope to T1 of TP.	fVR1	<p>Set the oscilloscope to the DC range. Adjust so that a and b have the same level.</p>	<ul style="list-style-type: none"> • Ground T2 of TP. • Playback the 8th track of CD-1.
3	Focus offset	Connect an oscilloscope to the RF of TP.	fVR2	Set to maximum.	<ul style="list-style-type: none"> • Playback the 8th track of CD-1. <p>Carry out adjustments to achieve a clean overall pattern and so that the indicated portion is wide and symmetrical.</p>
4	Output Offset	Connect DC voltmeter to output terminal of F-6250 (H-G,C-G,H-C).	vVR1...H-G vVR2...C-G	0V±1mV	<ul style="list-style-type: none"> • Playback the 4th track (no signal) of CD-1.
5	Tracking gain adjustment	Connect AC voltmeter to T1 of TP via the BPF. Connect AC voltmeter to T2 of TP via the BPF.	fVR3	<p>Using the indicated voltage at T1 of TP as a reference, adjust the voltage at T2 to -3.5dB.</p>	<p>• Playback the 4th track (no signal) of CD-1.</p> <p>• Apply an 800Hz signal of 0.5Vp-p from SG to T2 of TP via a resistance of 220kΩ.</p> <p>Adjust fVR3 to the position shown in the diagram if you do not have a BPF or if -3.5dB cannot be achieved.</p>
6	Output Level	Connect AC voltmeter to OUTPUT-1.	mVR1	2V ₀ ^{+0.05V}	<ul style="list-style-type: none"> • Loading Impedance...10kΩ. • Playback the 1th track of CD-1.

Step	Item	Measuring Location	Adjustment Location	Adjustment	Conditions and Notes
7	Focus gain adjustment	Connect AC voltmeter to F1 of TP via the BPF. Connect AC voltmeter to F2 of TP via the BPF.	fVR4	<p>Using the indicated voltage at F1 of TP as a reference, adjust the voltage at F2 to -2.5dB.</p>	<p>• Playback the 4th track (no signal) of CD-1.</p> <p>• Apply an 800Hz signal of 0.5Vp-p from SG to F2 of TP via a resistance of 220kΩ.</p> <p>Adjust fVR4 to position shown in the Figure if you do not have a BPF or if -2.5dB cannot be achieved.</p>

Fig. 2-1 Adjustments points



3. MAIN PARTS REPLACEMENT

A. Tray Panel, Tray ③ & Loading Belt ⑧

- 1) Remove the bonnet.
- 2) Check the stopper position that it is to 'FREE' from bottom side.
- 3) Loosen two screws ① to remove the clamp ass'y ②.
- 4) Pull the tray ③ toward you until it is brought into contact with the stopper.
- 5) In case of the tray panel, loosen two screws at bottom side of it.
- 6) Push the tray toward you while spreading the tray stopper.
Note: Do not broken the stopper.

B. Mechanism Assembly

- 1) Remove the tray.
- 2) Disconnect six them.
(See Fig. 2-1 on page 2)
- 3) Loosen six screws ④⑤ to remove the mechanism assembly.

C. Drive (Loading) Pulley ⑩

- 1) Remove the mechanism assembly.
- 2) Pull the lock pin ⑨ to remove the drive (loading) pulley ⑩.

D. Loading Motor ⑥

- 1) Remove the mechanism assembly.
- 2) Remove the loading belt ⑧.
- 3) The mechanism assembly can be turned upside down and desolder the motor terminals to remove the lead wires and capacitor.
- 4) Loosen two screws ④ to remove the motor ⑥.
- 5) Pull out the pulley ⑤ from the motor shaft.
* When inserting the pulley, the tip of loading motor shaft should be aligned with the top of face of the pulley.

E. Drive Motor ⑥ and Drive Pulley ⑩

- 1) Remove the mechanism assembly.
- 2) Remove the loading belt ⑧.
- 3) In case of drive pulley ⑩, loosen a screw ⑮ to remove it.
- 4) Loosen two screws ⑭, ⑯.
- 5) Remove the capacitor and lead wires at motor ⑥.
- 6) Loosen two screws ⑮.
- 7) Pull out the ⑤ from motor shaft.
* When inserting the pulley, the tip of loading motor shaft should be aligned with the top of face of the pulley.

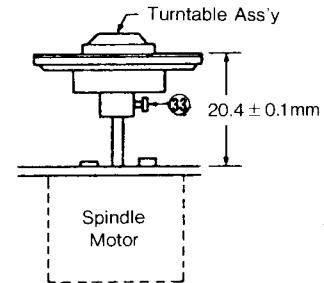
F. Cam Ass'y ⑲

- 1) Remove the mechanism assembly.
- 2) Remove the mounting plate of the drive motor.
- 3) Loosen the screw ⑱ to remove the cam ass'y.

G. Spindle Motor ⑳

- 1) Remove the mechanism assembly.
- 2) Remove the clamp ass'y ⑳.
- 3) Desolder the motor terminals to remove the lead wires.
- 4) Loosen a screw ㉓ to remove the turntable ass'y ㉔.
- 5) Loosen two screws ㉕ to remove the spindle motor ㉖.
* When inserting the motor, align the height of turntable as shown in the figure 3-1 and fix it with a screw ㉓.

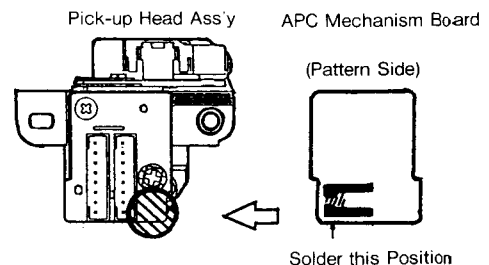
Fig. 3-1



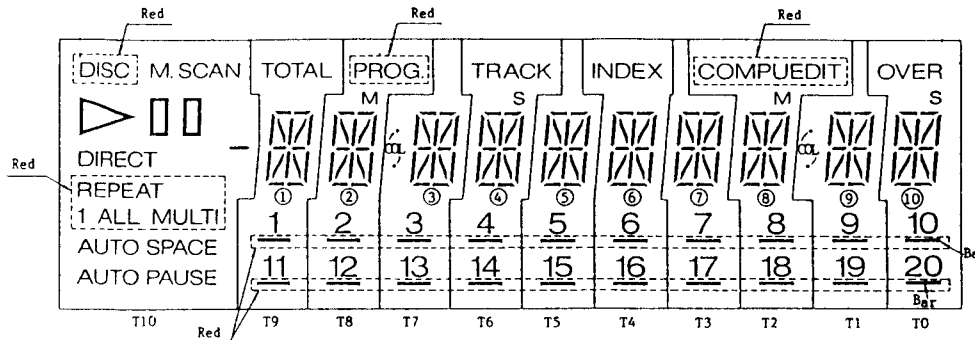
H. Pick-up Ass'y ㉖

- * Cautions when removing the pick-up ass'y:
Solder the points indicated in the figure before disconnecting the two lead connections.
This protects the pick-up from damage by static.
- 1) Remove the mechanism assembly.
 - 2) Remove the drive belt ⑧.
 - 3) Cut the wire bands as appropriate.
 - 4) Loosen two screws at pick-up chassis for earth washer.
 - 5) Loosen two screws ⑱ for sub chassis and pull out the pin of sub chassis from gutter of cam ass'y.
 - 6) Loosen two screws ㉓ which fasten the coil holder-2 ㉔ toward upside.
 - 7) Loosen two screws ㉔ which fasten the coil holder-1 ㉕ toward downside.
 - 8) Loosen four screws ⑲ to remove the rails ㉖.
 - 9) Remove the rails ㉖ and PU spacers ㉗.
 - 10) Loosen one screw ㉓ which fasten the coil holder-2 ㉔ toward flank and take out then pick-up ass'y ㉖.
- * Cautions when renewing the laser pick-up ass'y:
a) Connect the two lead connections to the new one.
b) Desolder the two points that were soldered to protect the device from static.

Fig. 3-2



4. TERMINAL ASSIGNMENT OF FL DISPLAY TUBE, CP5373GR



● Pin Assignment

1	F	19	S14
2	T0	20	S13
3	T1	21	S12
4	T2	22	S11
5	T3	23	S10
6	T4	24	S9
7	T5	25	S8
8	T6	26	S7
9	T7	27	S6
10	T8	28	S5
11	T9	29	S4
12	T10	30	S3
13	S20	31	S2
14	S19	32	S1
15	S18	33	S0
16	S17	34	S21
17	S16	35	S22
18	S15	36	F

● Grid & Anode Terminal Assignment (Refer to pin assignment.)

G	A	T0	T1	T2	T3	T4	T5	T6	T7	T8	T9	T10
S0	⑩ b	⑨ b	⑧ b	⑦ b	⑥ b	⑤ b	④ b	③ b	② b	① b		M. SCAN
S1	⑩ a	a	a	a	a	a	a	a	a	a	① a	DISC
S2	⑩ m	m	m	m	m	m	m	m	m	m	① m	□□
S3	⑩ n	n	n	n	n	n	n	n	n	n	① n	△
S4	⑩ k	k	k	k	k	k	k	k	k	k	① k	▽
S5	⑩ c	c	c	c	c	c	c	c	c	c	① c	—
S6	⑩ h	h	h	h	h	h	h	h	h	h	① h	▷
S7	⑩ u	u	u	u	u	u	u	u	u	u	① u	—
S8	⑩ p	p	p	p	p	p	p	p	p	p	① p	▷
S9	⑩ g	g	g	g	g	g	g	g	g	g	① g	DIRECT
S10	⑩ d	d	d	d	d	d	d	d	d	d	① d	▷
S11	⑩ t	t	t	t	t	t	t	t	t	t	① t	REPEAT
S12	⑩ r	r	r	r	r	r	r	r	r	r	① r	▷
S13	⑩ s	s	s	s	s	s	s	s	s	s	① s	▷
S14	⑩ f	⑨ f	⑧ f	⑦ f	⑥ f	⑤ f	④ f	③ f	② f	① f		1
S15	⑩ e	⑨ e	⑧ e	⑦ e	⑥ e	⑤ e	④ e	③ e	② e	① e		ALL
S16	(20) Bar	(19) Bar	(18) Bar	(17) Bar	(16) Bar	(15) Bar	(14) Bar	(13) Bar	(12) Bar	(11) Bar		▷
S17	20	19	18	17	16	15	14	13	12	11		AUTO PAUSE
S18	(10) Bar	(9) Bar	(8) Bar	(7) Bar	(6) Bar	(5) Bar	(4) Bar	(3) Bar	(2) Bar	(1) Bar		AUTO SPACE
S19	10	9	8	7	6	5	4	3	2	1		MULTI
S20	OVER	⑨ COL	COMPUEDIT		INDEX		TRACK	③ COL	PROG.	TOTAL		▷
S21	S		M									▷
S22							S		M			▷

5. PARTS LIST OF BOARD

- Some printed circuit boards are not supplied assembled. To separate these in this Parts List, the stock numbers are not indicated for these boards. However, stock numbers for individual parts are indicated.
- Since some capacitors and resistors are omitted from parts lists in this service manual, refer to the Common parts list for capacitors and resistors, which was issued on June 1987.
- Abbreviations in this parts list are as follows.

—Abbreviations List

C.R. : Carbon Resistor	E.C. : Electrolytic Capacitor
M.R. : Metal Film Resistor	F.C. : Film Capacitor
N.I.R. : Non-Inflammable Resistor	P.C. : Polystyrene Capacitor
A.R. : Array Resistor	V.R. : Variable Resistor
C.C. : Ceramic Capacitor	S.V.R. : Semi Variable Resistor
	SW. : Switch

5-1. F-6100 PHONES Level Volume Board

Parts No.	Stock No.	Description
kVR1	49395600	20kΩ (A) V. R.,

5-2. F-6101 PHONES Jack Board

Parts No.	Stock No.	Description
oJ2	48831300	Jack,

5-3. F-6247 Main Board <Stock No.01189801>

Parts No.	Stock No.	Description	Parts No.	Stock No.	Description	
•Transistor			mQ2	46367101	2SC2603	
fQ1	46359701	2SA952	or	46367301	2SC2458	
fQ2	46367101	2SC2603	△ mQ3	48150801	2SB1015	
or	46367301	2SC2458	△	or	48509101	2SA1488
fQ3	46367101	2SC2603	mQ4	46367001	2SA1115	
or	46367301	2SC2458	or	46367201	2SA1048	
fQ4	46719900	DTC124ES	△ mQ5	46359801	2SC2001	
•IC			mQ6	46367101	2SC2603	
fIC1	48839900	CXA1081S	or	46367301	2SC2458	
fIC2	49379400	CXA1082BQ	△ mQ7	48150101	2SD1406	
fIC3	48976700	CXD1125Q-Z	△	or	48508801	2SC3851
fIC4	48839700	CXK5816PN-12L	△ mQ8	48150801	2SB1015	
or	48984800	LC3517AL-15	△	or	48509101	2SA1488
or	49260400	CXK5816PN-15L	mQ10	46367101	2SC2603	
or	49260500	CXK5816PS-12L	or	46367301	2SC2458	
or	49260600	CXK5816PS-15L	mQ11	46367001	2SA1115	
fIC5	48724200	μ PD74HC74C	or	46367201	2SA1048	
or	48726200	HD74HC74P	mQ12	46367101	2SC2603	
or	49343100	TC74HC74AP	or	46367301	2SC2458	
•Diode			•FET			
fD1	03117600	1S2473T77	mFT1, 2	46643502	2SK163-L1	
or	48757000	3.3kΩ 1/4W M.R.	or	46643503	2SK163-L2	
fR26	48760600	100kΩ 1/4W M.R.	or	46643702	2SK246-BL	
fR32	48760600	100kΩ 1/4W M.R.	mFT4~8	46643502	2SK163-L1	
fR33	48760600	100kΩ 1/4W M.R.	or	46643503	2SK163-L2	
△ fR60, 61	46228200	22Ω 1/2W N.I.R.	or	46643702	2SK246-BL	
fC2	49384900	47μF 50V E.C.	•IC			
fC3	49384900	47μF 50V E.C.	△ mIC1	49232100	M5F78M05L	
fC4	49385000	100μF 50V E.C.	△ mIC2	49233200	M5F79M05L	
fC5	49384900	47μF 50V E.C.	mIC3	49357000	NJM4580L	
fC6	48748400	0.1μF 50V C.C.	•Diode			
fC7	49384900	47μF 50V E.C.	△ mD5	49350800	RDF02M	
fC8	48748400	0.1μF 50V C.C.	△ mD6	07112300	10DF2	
fC12	49356800	0.47μF 50V E.C.	△ mD7	07112300	10DF2	
fC13	49356800	0.47μF 50V E.C.	△ mD8	07112300	10DF2	
fC14	48748400	0.1μF 50V C.C.	△ mD9	07112300	10DF2	
fC21	49384700	10μF 50V E.C.	•Zener Diode			
fC23	49384900	47μF 50V E.C.	mDZ1	49307500	05AZ22-Z	
fC25	49384300	3.3μF 50V E.C.	or	49307600	05AZ22-R	
fC26	49384900	47μF 50V E.C.	mDZ2	49307500	05AZ22-Z	
fC27	49384900	47μF 50V E.C.	or	49307600	05AZ22-R	
fC28	49332400	0.01μF 100V F.C.	mDZ3	49303300	05AZ6. 2-Y	
fC30	49384900	47μF 50V E.C.	or	49303400	05AZ6. 2-Z	
fC31	48748400	0.1μF 50V C.C.	mDZ4	49303300	05AZ6. 2-Y	
fC32	49384100	1μF 50V E.C.	or	49303400	05AZ6. 2-Z	
fC33	49384500	0.049μF 50V E.C.	mDZ7	49302500	05AZ4. 7-Z	
fC34	49331600	4700pF 100V P.C.	or	49302600	05AZ5. 1-X	
fC36	49384900	47μF 50V E.C.	mDZ8	49302500	05AZ4. 7-Z	
fC37	49333600	0.033μF 100V P.C.	or	49302600	05AZ5. 1-X	
fC38	48748400	0.1μF 50V C.C.	•LED			
fC39	49356800	0.47μF 50V E.C.	mDZ6	49325900	SEL3210S	
fC40	49332400	0.01μF 100V P.C.	mR10	46624300	100Ω 2W N.I.R.	
fC41	48748400	0.1μF 50V C.C.	mC5	46119100	47μF 50V E.C.	
fC42	49385000	100μF 50V E.C.	mC6	46119100	47μF 50V E.C.	
fC43	48748400	0.1μF 50V C.C.	mC7	46119500	220μF 50V E.C.	
fC44	49384900	47μF 50V E.C.	mC8	46119500	220μF 50V E.C.	
fC60	49250700	0.047μF 100V P.C.	mC9	49253300	39pF 100V P.C.	
fC61	49250700	0.047μF 100V P.C.	mC10	49253300	39pF 100V P.C.	
fL1	48070700	Inductor	mC11	49333000	0.018μF 100V P.C.	
fVR1	46634500	22kΩ S.V.R., Tracking Offset	mC13	46119100	47μF 50V E.C.	
fVR2	46634300	10kΩ S.V.R., Focus Offset	mC14	46119700	470μF 50V E.C.	
fVR3	46634500	22kΩ S.V.R., Tracking Gain	mC15	49328800	330pF 100V P.C.	
fVR4	46634500	22kΩ S.V.R., Focus Gain	mC16	49333000	0.018μF 100V P.C.	
fVR5	48118800	2kΩ S.V.R., VCO	mC17	49333000	0.018μF 100V P.C.	
•IC			mC18	49350600	4700μF 25V E.C.	
kIC1	48577000	M5216L	mC19	49350600	4700μF 25V E.C.	
or	49385800	NJM4556L	mC20	49384900	47μF 50V E.C.	
kC4	49333000	0.018μF 100V P.C.	mC21	49384900	47μF 50V E.C.	
•Transistor			mC22	48941200	220μF 50V E.C.	
△ mQ1	48150101	2SD1406	mC23	48941200	220μF 50V E.C.	
△	or	48508801	mC37	49385300	1000μF 50V E.C.	
			mC38	49385200	470μF 50V E.C.	

to be continued ▶

<F-6247>

Parts No.	Stock No.	Description
mC54	49250700	0.47 μ F 100V P. C.
mC55	49385500	22 μ F 50V E. C.
mC56	49385500	22 μ F 50V E. C.
mVR1	46633900	2.2k Ω S. V. R., Output Level
•Transistor		
vQ50	46719900	DTC124ES
vQ51	46719900	DTC124ES
vQ52	46719900	DTC124ES
vQ53	46367001	2SA1115
	or 46367201	2SA1048
vQ54	46719900	DTC124ES
vQ56	46719900	DTC124ES
•IC		
vIC1	49442500	MN6471M
vIC2	49357000	NJM4580L
vX01	49357400	Quartz Element HC-49/U
•Diode		
vD52	03117600	1S2473T77
vD54	03117600	1S2473T77
•Zener Diode		
vDZ53	49303300	05AZ6. 2-Y
	or 49303400	05AZ6. 2-Z
vPH1	48730000	Photo Transistor, PC-827
vR42	46567300	47 Ω 1/2W C. R.
vR43	46567300	47 Ω 1/2W C. R.
vC1	49384900	47 μ F 50V E. C.
vC3	49385200	470 μ F 50V E. C.
vC4	48748400	0.1 μ F 50V C. C.
vC8	49385200	470 μ F 50V E. C.
vC9	48748400	0.1 μ F 50V C. C.
vC11	49385000	100 μ F 50V E. C.
vC13	49385000	100 μ F 50V E. C.
vC14	48060400	220pF 125V P. C.
vC15	48060400	220pF 125V P. C.
vC16	49333000	0.018 μ F 100V P. C.
vC17	49333000	0.018 μ F 100V P. C.
vC51	48941300	220 μ F 50V E. C.
vC52	49384700	10 μ F 50V E. C.
vC53	49384100	1 μ F 50V E. C.
vL1	48070000	Inductor
vL2	49382000	Low Pass Filter
vL4	48070000	Inductor
vRL2	48057000	Relay, 24V
	or 48057001	Relay

5-4. F-6102 POWER Indicator Board

Parts No.	Stock No.	Description
nLD1	48841300	SEL3813A

5-5. F-6103 TIMER Switch Board

Parts No.	Stock No.	Description
oS35	49357300	Slide SW.,

5-6. F-6104 POWER Switch Board

Parts No.	Stock No.	Description
Δ pC1	46425800	0.01 μ F 400V C. C.
Δ pC2	46371700	4700pF 400V C. C.
Δ pC3	46425800	0.01 μ F 400V C. C.
Δ pL1	48727800	Line Filter LF-2C
Δ pS1	48846300	Push Switch, POWER

5-7. F-6099 Control Switch Board

< Stock No.01143801 >

Parts No.	Stock No.	Description
nFL1	49350700	FL. Display Tube CP5373GR
oS1	49326300	Push Switch, C. EDIT
oS2	49326300	Push Switch, 1
oS3	49326300	Push Switch, 2
oS4	49326300	Push Switch, 3
oS5	49326300	Push Switch, M. SCAN
oS6	49326300	Push Switch, 4
oS7	49326300	Push Switch, 5
oS8	49326300	Push Switch, 6
oS9	49326300	Push Switch, 7
oS10	49326300	Push Switch, 8
oS11	49326300	Push Switch, 9
oS12	49326300	Push Switch, +10
oS13	49326300	Push Switch, 10Key MODE
oS14	49326300	Push Switch, 10
oS15	49326300	Push Switch, 0
oS16	49326300	Push Switch, CLEAR
oS17	49326300	Push Switch, \blacktriangleright
oS18	49326300	Push Switch, DISP
oS19	49326300	Push Switch, SET
oS20	49326300	Push Switch, CHECK
oS21	49326300	Push Switch, $\blacktriangleright\blacktriangleright$
oS22	49326300	Push Switch, $\blacktriangleleft\blacktriangleleft$
oS23	49326300	Push Switch, $\blacktriangleleft\blacktriangleleft$
oS24	49326300	Push Switch, INDEX \rightarrow
oS25	49326300	Push Switch, \blacktriangleright
oS26	49326300	Push Switch, \blacksquare
oS27	49326300	Push Switch, START
oS28	49326300	Push Switch, \leftarrow INDEX
oS29	49326300	Push Switch, RANDOM
oS30	49326300	Push Switch, AUTO SP
oS31	49326300	Push Switch, REPEAT
oS32	49326300	Push Switch, MULTI
oS33	49326300	Push Switch, OPEN/CLOSE
oS34	49326300	Push Switch, \blacksquare
wIC4	49356200	Remote Receive Unit GPIU521X
•Transistor		
wQ51	46719800	DTA124ES
wQ52	46719800	DTA124ES
wQ53	49325700	DTC114YL
•IC		
wIC3	49351200	CXP5058H-508Q
wR61	48774800	100k Ω x8 A. R.
wR62	48777300	10k Ω x10 A. R.
wC50	48941500	100 μ F 25V E. C.
wC51~54	48748400	0.1 μ F 50V C. C.

5-8. F-6248 Control IC Board

< Stock No.01190001 >

Parts No.	Stock No.	Description
•IC		
wIC1	49351300	μ PD75008CU-030
	or 49382200	μ PD75P008CU
wIC2	49396100	TCA0372DP1
wX01	46925800	Ceramic OSC Element KBR 4.19M
wC3	48748400	0.1 μ F 50V C. C.
wC4	48748400	0.1 μ F 50V C. C.
wC5	48748400	0.1 μ F 50V C. C.
wC6	49384900	47 μ F 50V E. C.
wC7	49384900	47 μ F 50V E. C.
wC8	48941500	100 μ F 25V E. C.

5-9. F-6105 Digital Signal Output Board
 <Stock No.01144501>

Parts No.	Stock No.	Description
fIC7	49352600	Optical Received Module
•Transistor		
fQ5	46367001 or 46367201	2SA1115 2SA1048
•IC		
fIC6	49318600	TC74HCU04AP
fC47	48748400	0.1 μ F 50V C.C.
fC48	49384900	47 μ F 50V E.C.
fC49	48748400	0.1 μ F 50V C.C.
fC50	49384900	47 μ F 50V E.C.
fC51	48748400	0.1 μ F 50V C.C.
fT1	49197000	Transformer
•Transistor		
Δ mQ9	46614001	2SA1283
•Diode		
Δ mD1	07112300	10DF2
Δ mD2	07112300	10DF2
Δ mD3	07112300	10DF2
Δ mD4	07112300	10DF2
Δ mD10	49350800	RDF02M
•Zener Diode		
mDZ9	49309700 or 49309800	05AZ39-X 05AZ39-Y
mDZ10	49303000 or 49303100	05AZ5.6-Y 05AZ5.6-Z
Δ mR21	46402000	10k Ω 1/2W N.I.R.
mC1	49333000	0.018 μ F 100V P.C.
mC2	49333000	0.018 μ F 100V P.C.
mC3	49265700	3300 μ F 35V E.C.
mC4	49265700	3300 μ F 35V E.C.
mC28	49333000	0.018 μ F 100V P.C.
mC29	49385400	470 μ F 63V E.C.
mC34	48748400	0.1 μ F 50V C.C.
oS36	48834900	Slide SW.,DIGITAL OUT
oJ3	49443600	IP Terminal, COAXIAL

5-10. F-6251 Analog Signal Amp. Board
 <Stock No.01190301>

Parts No.	Stock No.	Description
•Transistor		
vQ1	46581701	2SC1845
vQ2	46581601	2SA992
vQ3	46581701	2SC1845
vQ4	46581601	2SA992
•IC		
vIC4	49357000	NJM4580L
vC24	49333000	0.018 μ F 100V P.C.
vC25	49333000	0.018 μ F 100V P.C.

5-11. F-6249 Motor Driving Board
 <Stock No.01190101>

Parts No.	Stock No.	Description
•Transistor		
fQ100	46359801	2SC2001
fQ101	46359701	2SA952
fQ102	46359801	2SC2001
fQ103	46359701	2SA952
fQ108	46359801	2SC2001
fQ109	46359701	2SA952
fQ110	46359801	2SC2001
fQ111	46359701	2SA952
fQ112	46359801	2SC2001
fQ113	46359701	2SA952
fQ114	46359801	2SC2001
fQ115	46359701	2SA952
•IC		
fIC8	49357000	NJM4580L
fIC9	49396100	TCA0372DP1
fIC10	49357000	NJM4580L
fIC11	49357000	NJM4580L
Δ fR106	46228200	22 Ω 1/2W N.I.R.
Δ fR114,115	46228200	22 Ω 1/2W N.I.R.
fC100	48088400	0.1 μ F 50V F.C.
fC101	48087200	0.033 μ F 50V F.C.
fC102	49250700	0.047 μ F 100V P.C.
fC104	48087600	0.047 μ F 50V F.C.
fC105	49250700	0.047 μ F 100V P.C.
fC111	49385300	1000 μ F 50V E.C.
fC120	48088400	0.1 μ F 50V F.C.
fC121	48088400	0.1 μ F 50V F.C.
fC122	48088400	0.1 μ F 50V F.C.
fC123	48088400	0.1 μ F 50V F.C.

5-12. F-6250 De-Emphasis Board
 <Stock No.01190201>

Parts No.	Stock No.	Description
•Transistor		
vQ55	46719900	DTC124ES
•IC		
vIC3	49357000	NJM4580L
•Diode		
vD53	03117600	1S2473T77
•Zener Diode		
vDZ52	49303300 or 49303400	05AZ6.2-Y 05AZ6.2-Z
vC18	48061200	1000pF 125V P.C.
vC19	49330000	1000pF 100V P.C.
vC20	49333000	0.018 μ F 100V P.C.
vC21	49333000	0.018 μ F 100V P.C.
vC22	49332200	8200pF 100V P.C.
vL3	49381900	Low Pass Filter
vVR1	48978300	330 Ω S.V.R.,DC Offset
vVR2	48978300	330 Ω S.V.R.,DC Offset
vRL1	48057000 or 48057001	Relay, 24V Relay

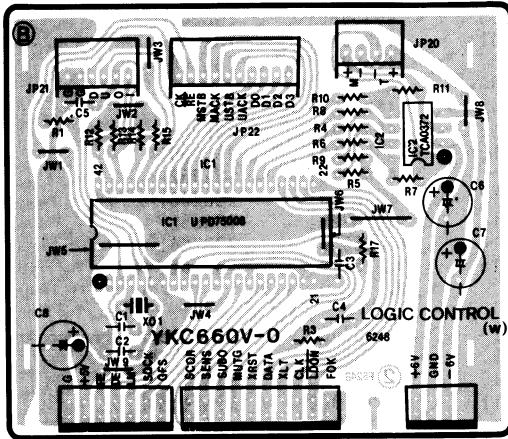
5-13. F-6252 OUTPUT-1 Terminal Board

Parts No.	Stock No.	Description
oJ1	49374800	2P Terminal, OUTPUT-1
vR47	46568100	100 Ω 1/2W C.R.

6. PARTS LOCATION ON BOARD

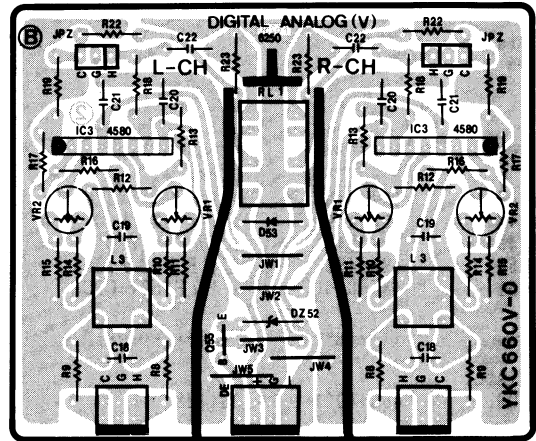
6-1. F-6248 Control IC Board

Component Side



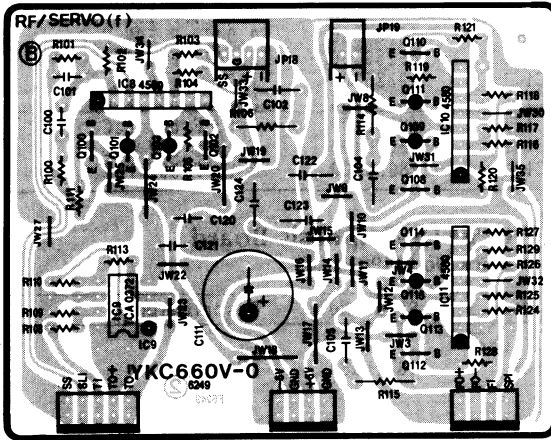
6-4. F-6250 De-Emphasis Board

Component Side



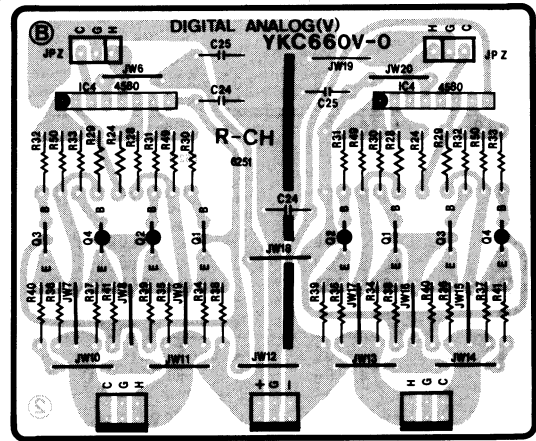
6-2. F-6249 Motor Driving Board

Component Side



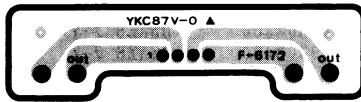
6-5. F-6251 Analog Signal Amp. Board

Component Side



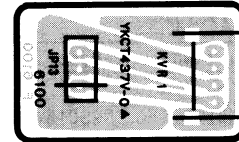
6-3. F-6172 Wire Relay Board

Component Side



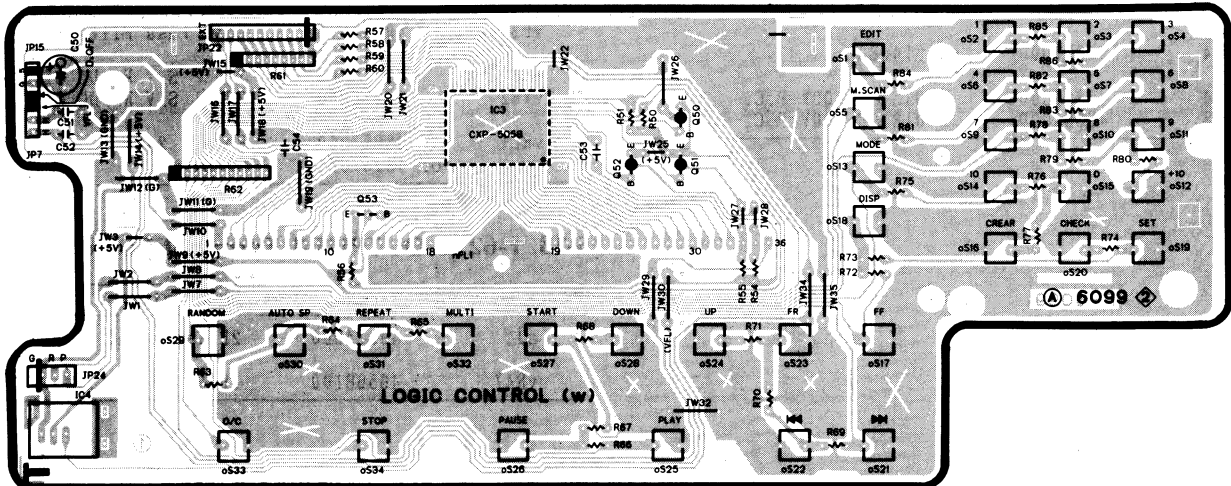
6-6. F-6100 PHONES Level Volume Board

Component Side

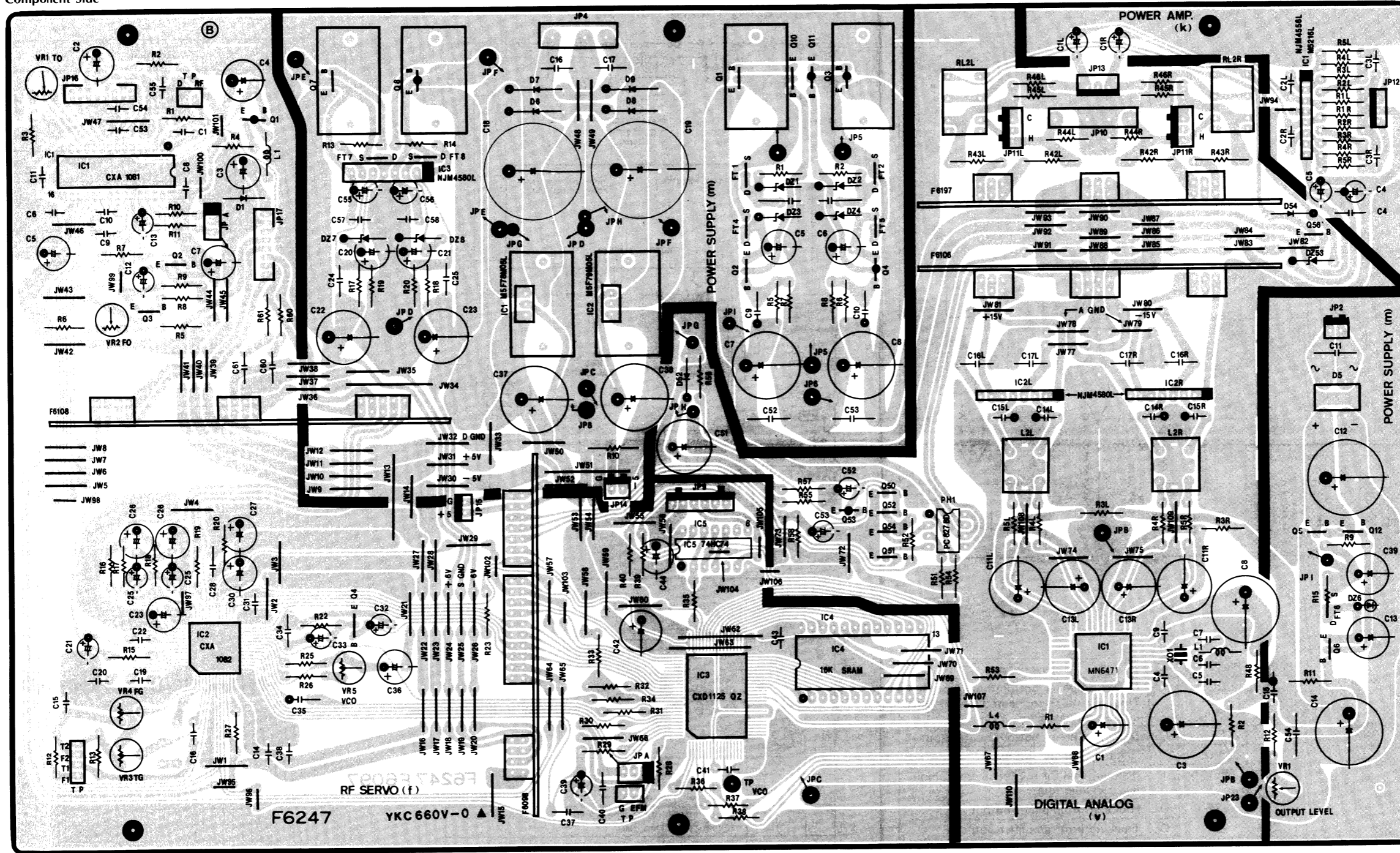


6-7. F-6099 Control Switch Board

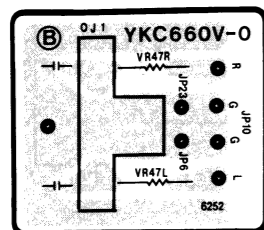
Component Side



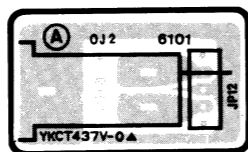
6-8. F-6247 Main Board
Component Side



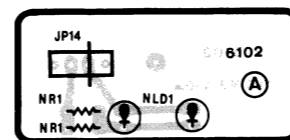
6-9. F-6252 OUTPUT-1 Terminal Board
Component Side



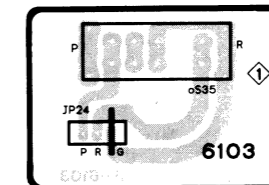
6-10. F-6101 PHONES Jack Board
Component Side



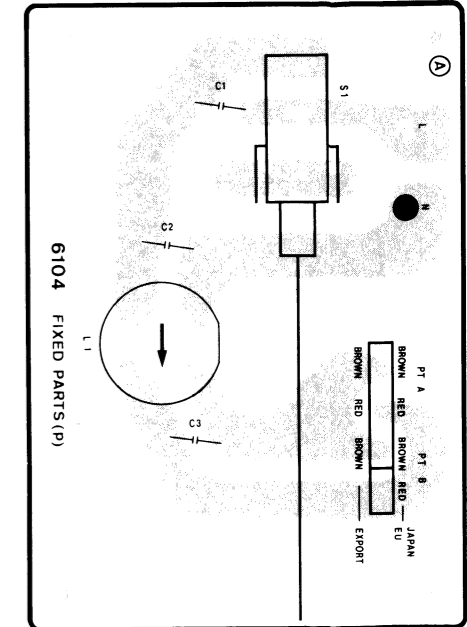
6-11. F-6102 POWER Indicator Board
Component Side



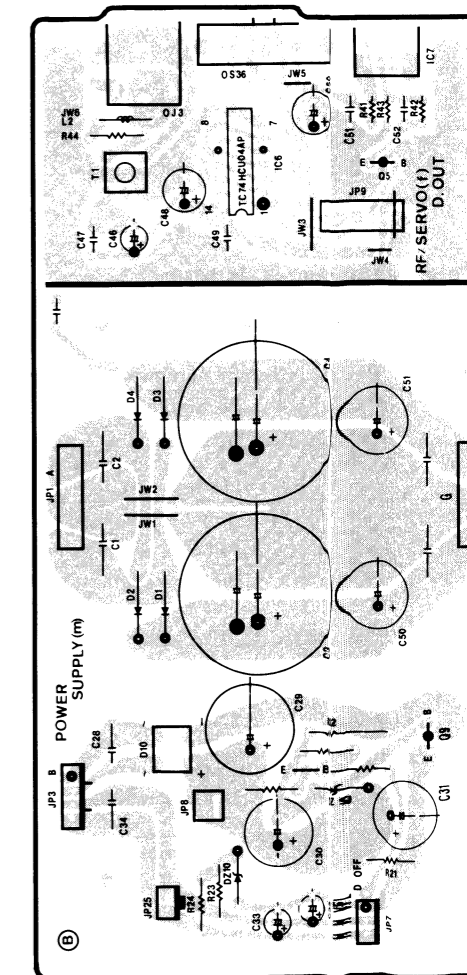
6-12. F-6103 TIMER Switch Board
Component Side



6-13. F-6104 Power Switch Board
Component Side

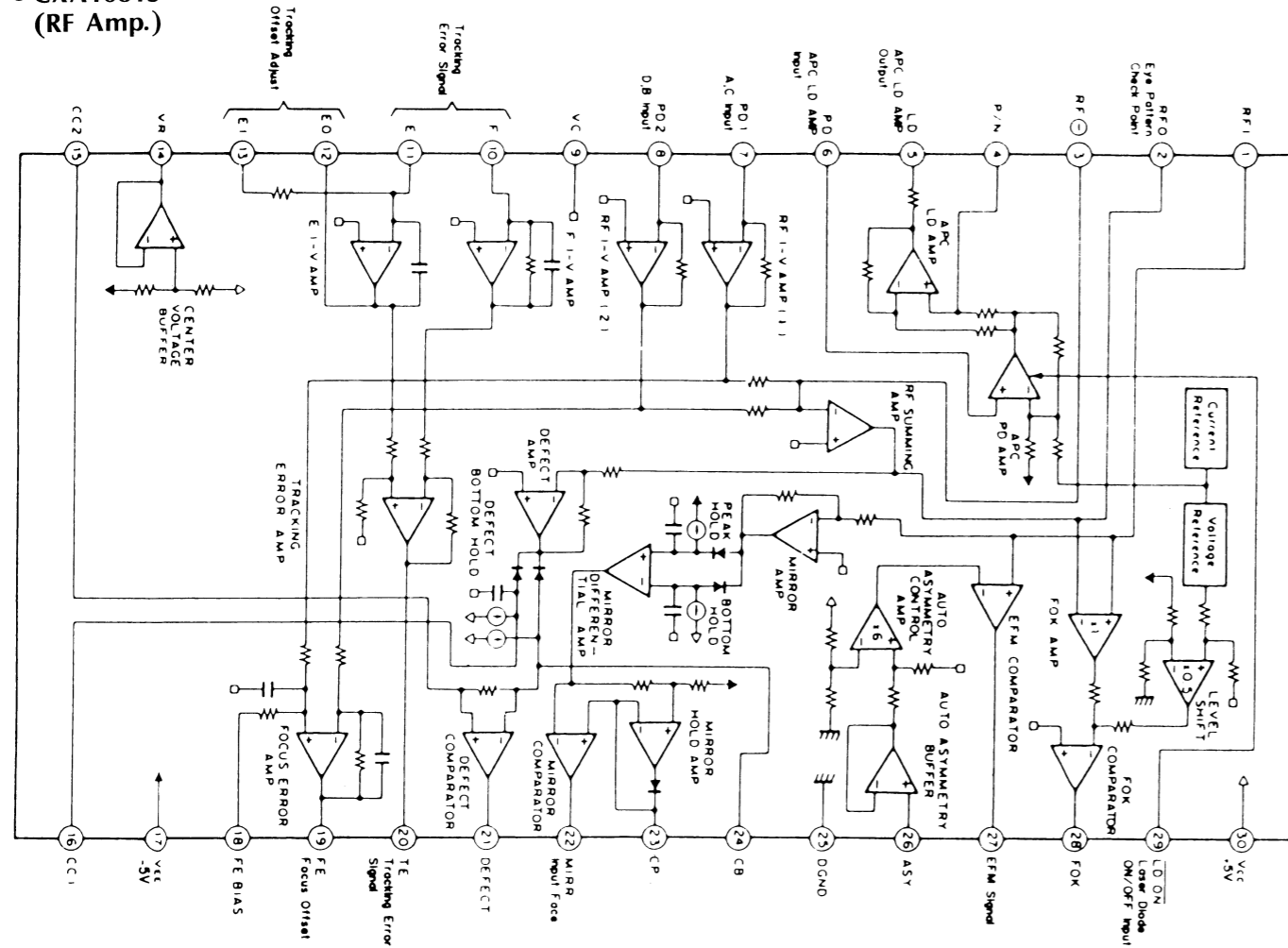


6-14. F-6105 Digital Signal
Output Board
Component Side



7. SCHEMATIC DIAGRAM, INTERIOR BLOCK DIAGRAM & TERMINAL FUNCTION OF ICs

● CXA1081S (RF Amp.)

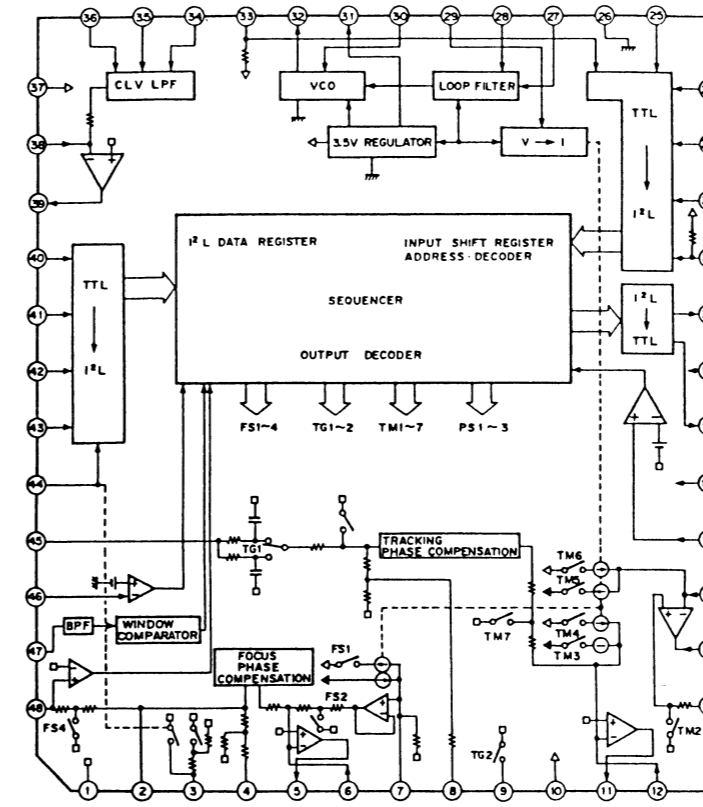


◆ Terminal Function <CXA1081S>

Pin No.	Pin Name	I/O	Description
1	RF1	I	RF summing amplifier input.
2	RF0	O	RF summing amplifier output.
3	RF	I	RF Summing amplifier feedback signal input.
4	P/N	I	Terminal for switching P-sub/N-sub of LD (laser diode).
5	LD	O	APC LD amplifier output.
6	PD	I	APC PD amplifier input.
7	PD1	I	RF I-V amplifier (1) inverting input. This terminal is connected to the pin diode (A + C).
8	PD2	I	RF I-V amplifier (2) inverting input. This terminal is connected to the pin diode (B + D).
9	VC	-	Ground
10	F	I	F I-V amplifier inverting input. This terminal is connected to the pin diode (F).
11	E	I	E I-V amplifier inverting input. This terminal is connected to the pin diode (E).
12	EO	O	E I-V amplifier output.
13	EI	I	E I-V amplifier feedback input.
14	VR	O	(Vcc + VEE)/2 voltage output.

Pin No.	Pin Name	I/O	Description
15	CC2	I	Defect amplifier bottom hold input. This terminal is connected Pin 16 with a coupling capacitor.
16	CC1	O	Defect amplifier bottom hold output.
17	VEE	-	Negative supply voltage: -5V.
18	FEBIAS	I	Bias terminal for the focus error amplifier non-inverting.
19	FE	O	Focus error amplifier output.
20	TE	O	Tracking error amplifier output.
21	DEFECT	O	Defect comparator output.
22	MIRR	O	Mirror comparator output.
23	CP	I	Mirror comparator non-inverting input. This terminal is connected a mirror hold capacitor.
24	CB	I	This terminal is connected a defect bottom hold capacitor.
25	DGND	-	Ground.
26	ASY	I	Auto asymmetry buffer control signal input.
27	EFM	O	EFM comparator output.
28	FOK	O	FOK comparator output.
29	LD ON	I	Laser diode ON/OFF switching input.
30	Vcc	-	Positive supply voltage: +5V.

● CXA1082BQ (Servo Control)



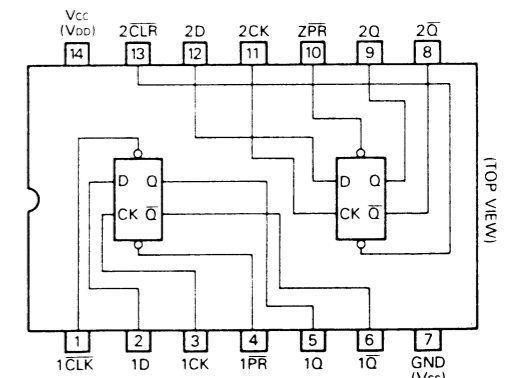
Pin No.	Pin Name	Function
2	FGD	A condenser is inserted between this pin and pin 3 to decrease focus servo high-frequency gain.
3	FS3	Switches focus servo high-frequency gain when FS3 is turned ON/OFF.
4	FLB	Input terminal for the time constant used to increase focus servo low-frequency characteristic.
5	FEO	OP Amp output terminal for power transistor driver.
11	TAO	Tracking amplifier turnover input terminal.
14	SLO	
39	SPDLO	
6	FE	Focus amplifier turnover input terminal.
7	SRCH	Input terminal for the time constant used to generate the focus search waveform.
8	TGU	Input terminal for the time constant used to switch high-frequency tracking gain.
9	TG2	Input terminal for the time constant used to switch high-frequency tracking gain.
12	TA	Tracking amplifier turnover input terminal.
13	SL	Thread amplifier non-turnover input terminal.
15	SL	Thread amplifier turnover input terminal.
16	SSTOP	Terminal for detecting innermost turn detection limit switch ON/OFF.
17	FSET	Terminal for setting focus tracking phase-compensation peaks and CLV LPF fo.
18	SENS	Microcomputer interface output terminal.
20	C OUT	
21	DIRCT	Microcomputer interface input terminal. Pins 21 and 33 are provided with 47 kΩ pullup resistors.
22	XRST	
23	DATA	
24	XLT	
25	CLK	
33	LOCK	

Pin No.	Pin Name	Function
27	BW	Loop-filter time constant input terminal.
28	PDI	CX23035/CXD1125 phase comparator output PDO input terminal.
29	ISSET	Supplies the current used to determine focus search, track jump and thread kick height.
30	VCOF	VCO free-frequency is practically proportional to the resistance between this pin and pin 31.
32	C864	8.64 MHz VCO output terminal.
34	MDP	This terminal is connected to the CX23035/CXD1125 MDP terminal.
35	MON	This terminal is connected to the CX23035/CXD1125 MON terminal.
36	FSW	CLV servo error signal LDF time constant input terminal.
38	SPDL	Spindle drive amplifier turnover input terminal.
40	WDCK	Interface input terminal for microcomputer, etc.
42	FOK	
44	MIRR	
44	DFCT	
45	TE	Tracking error signal input terminal.
46	TZC	Tracking zero-cross comparator input terminal.
47	ATSC	ATSC detecting window comparator input terminal.
48	FE	Focus error signal input terminal.

● TC74HC74P/μPD74HC74C (D-type Flip-Flop)

INPUTS				OUTPUTS		FUNCTION
CLR	PR	D	CK	Q	\bar{Q}	
L	H	X	X'	L	H	CLEAR
H	L	X	X	H	L	RESET
L	L	X	X	H	H	—
H	H	L	L	L	H	—
H	H	H		H	L	—
H	H	X		Qn	$\bar{Q}n$	NO CHANCE

X: Don't Care

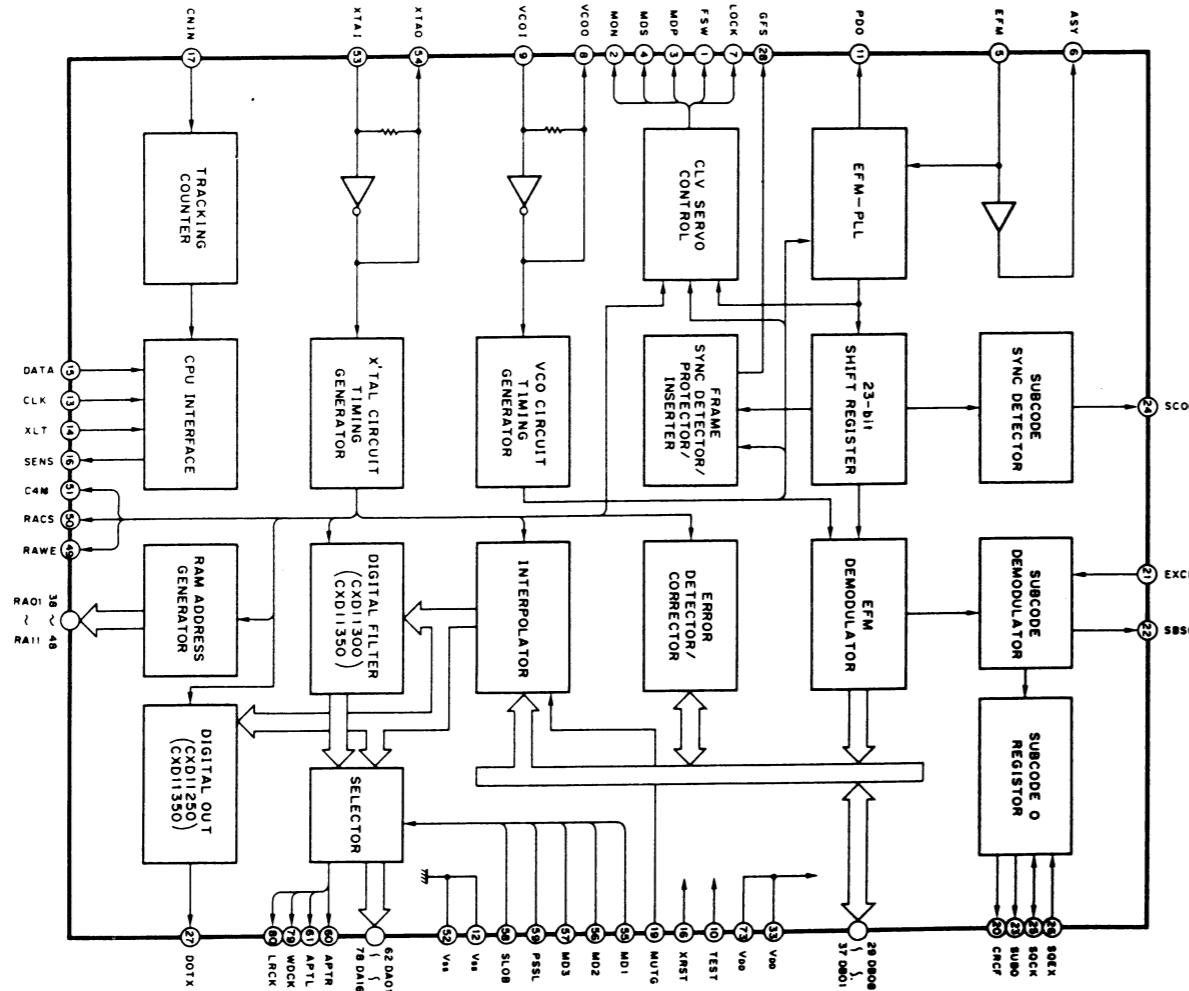


● μ PD75008 (Micro Computer)

Pin No.	Pin Name	I/O	Description
3	RESET	I	Terminal for inputting a reset signal.
8	XRST	O	Terminal for inputting a reset signal to the CXA1082 and CXD1125Q.
9	MUTG	O	Terminal for outputting a muting signal. Active..."H" level.
10	DE	O	Terminal for outputting a De-emphasis drive signal.
11	LMUT	O	Terminal for outputting a line muting signal. Active..."H" level.
12	SUBQ	I	Subcoding Q-channel signal input from the CXD1125.
14	SQCK	I	Terminal to input a clock for subcoding Q-channel signal from the CXD1125.
16	GFS	I	Terminal to input a signal for frame sync locked condition from the CXD1125.
17	FOK	I	Terminal to input a signal for focus servo OK. Focus servo OK mode in "H" level.
18	SCOR	I	Terminal to input a subcoding sync S0+S1 from the CXD1125.
19	SENS	I	Terminal to input a condition signal from the CXA1082 and CXD1125.
21	V _{DD}	-	Positive supply voltage: +5V.
22	LDON	O	Terminal to output a signal for the laser diode ON.
23	CLK	O	Terminal to output a clock for serial data to the CXA1082 and CXD1125.

Pin No.	Pin Name	I/O	Description
24	XLT	O	Terminal to output a latch signal for serial data to the CXA1082 and CXD1125.
25	DATA	O	Terminal to output a serial data to the CXA1082 and CXD1125.
26	ME UP	O	Terminal to output a signal for mechanism motor drive.
27	ME DOWN	O	Terminal to output a signal for mechanism motor drive.
28	TRAYOUT	O	Terminal to output a signal for loading motor drive.
29	TRAY IN	O	Terminal to output a signal for loading motor drive.
30	MSTB	O	Terminal to output a timing signal for parallel data to the CXP5058.
31	MACK	O	Terminal to output a reponse signal for parallel data to the CXP5058.
32	USTB	I	Terminal to input a timing signal for parallel data from the CXP5058.
33	UACK	I	Terminal to input a reponse signal for parallel data from the CXP5058.
34~37	D0~D3	I/O	Data bus lines from/to the CXP5058.
38	M.SW UP	I	Terminal for inputting a signal from the mechanism up/down switches.
39	M.SW	I	Terminal for inputting a signal from the mechanism up/down switches.
40	TRAY OUT	I	Terminal for inputting a signal from loading in/out switches.
41	TRAY IN	I	Terminal for inputting a signal from loading in/out switches.

● CXD1125Q (Digital Signal Processing)



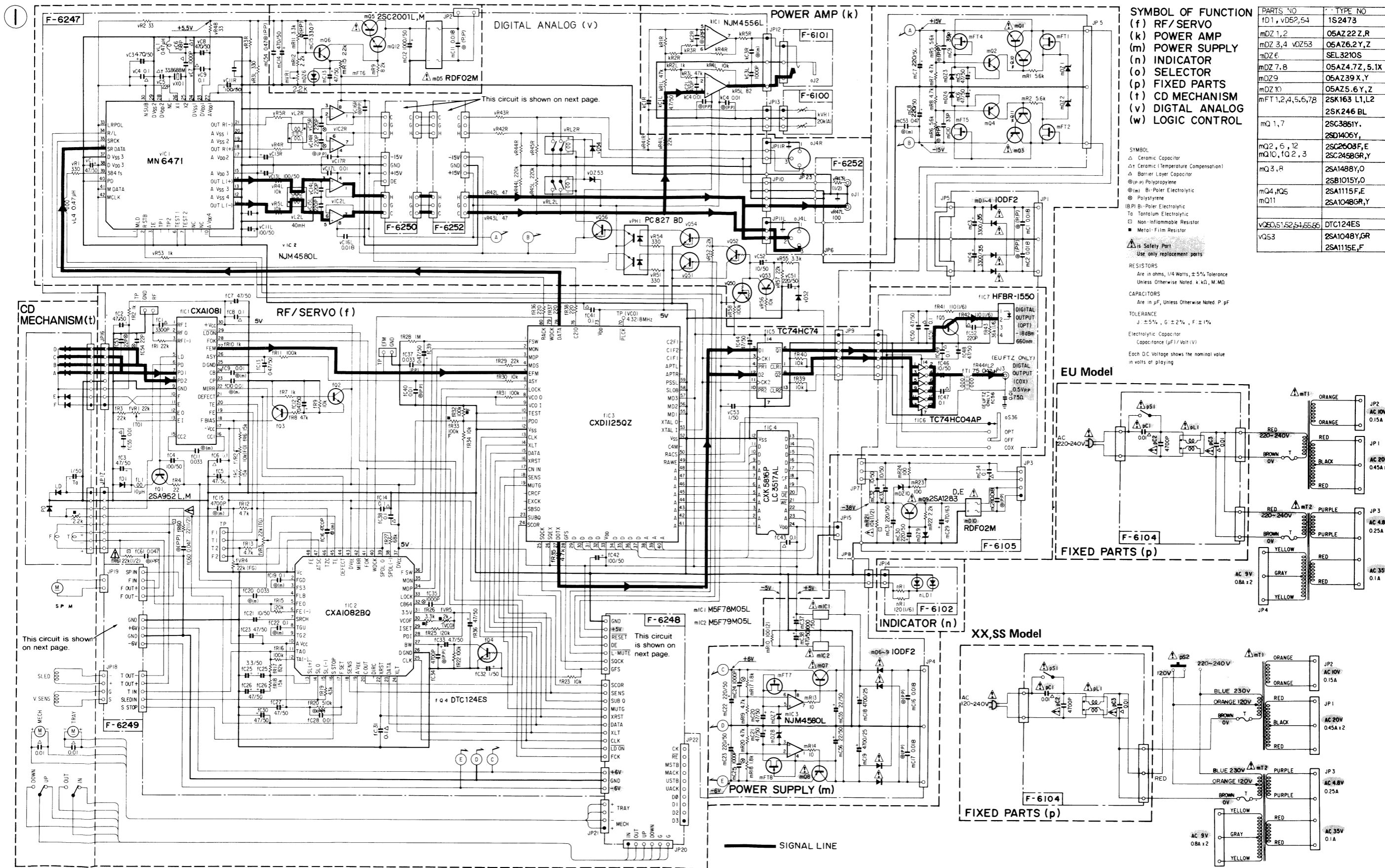
◆ Terminal Function <CXD1125Q>

Pin No.	Pin Name	I/O	Description
1	FSW	O	Terminal to output a time constant switching signal for output-filter of spindle motor.
2	MON	O	Terminal to output a control signal for spindle motor ON/OFF.
3	MDP	O	Spindle motor drive output. For CLV-S mode rough control and CLV-P mode phase control.
4	MDS	O	Spindle motor drive output. For CLV-P mode speed control.
5	EFM	I	Terminal to input a EFM signal from RF amplifier (CXA1081S).
6	ASY	O	Terminal to output a control signal for EFM signal slice level.
7	LOCK	O	The GFS signal is sampled at WFCK/16: if "H", "H" is output through this terminal. If "L" for 8 consecutive times, "L" is output.
8	VCOO	O	VCO output. When locked to the EFM signal, f = 8.6436 MHz.
9	VCOI	I	VCO input.
10	TEST	I	(0 V).
11	PDO	O	Terminal to output a phase comparison signal for EFM signal and VCO/2.
12	VST	-	Ground (0 V)
13	CLK	I	Terminal to input a transfer clock for serial data from the μ PD75008. Serial data is latched on the rising edge of the transfer clock.
14	XLT	I	Terminal to input a latch signal from the μ PD75008. Latches a data (serial data from the μ PD75008) of 8-bit shift register to each register.
15	DATA	I	Serial data input from the μ PD75008.
16	XRST	I	System reset input. Reset is performed at "L" input.
17	CNIN	I	Tracking pulse input.
18	SENS	O	Outputs internal condition data for each address.
19	MUTG	I	Muting input. When the internal register ATTM is "L", MUTG sets the normal condition at "L" input, and the muted condition at "H" input.
23	SUBQ	O	Subcoding Q data output.
24	SCOP	O	Subcoding data sync S0+S1 output.
25	SQCK	I/O	Subcoding Q data readout clock input/output.
27	DOTX	I	Digital data output.
28	GFS	O	Frame sync locked condition indicating output.
29	DB08	I/O	External RAM data terminal. DATA8 (MSB)
30	DB07	I/O	External RAM data terminal. DATA7
31	DB06	I/O	External RAM data terminal. DATA6
32	DB05	I/O	External RAM data terminal. DATA5
33	V _{DD}	-	Positive supply voltage.
34	DB04	I/O	External RAM data terminal. DATA4
35	DB03	I/O	External RAM data terminal. DATA3
36	DB02	I/O	External RAM data terminal. DATA2
37	DB01	I/O	External RAM data terminal. DATA1 (LSB)
38	RA01	I/O	External RAM address output. ADDR01 (LSB)
39	RA02	I/O	External RAM address output. ADDR02
40	RA03	I/O	External RAM address output. ADDR03
41	RA04	I/O	External RAM address output. ADDR04
42	RA05	I/O	External RAM address output. ADDR05
43	RA06	I/O	External RAM address output. ADDR06
44	RA07	I/O	External RAM address output. ADDR07
45	RA08	I/O	External RAM address output. ADDR08

Pin No.	Pin Name	I/O	Description
46	RA09	I/O	External RAM address output. ADDR09
47	RA10	I/O	External RAM address output. ADDR10
48	RA11	O	External RAM address output. ADDR11
49	RAW	O	Write enable signal output to the external RAM (active at "L").
50	RACS	O	Chip select signal output to the external RAM (active at "L").
51	C4M	O	X'tal division output. f = 4.2336 MHz.
52	V _{SS}	-	Ground (0V).
53	XTAI	I	X'tal oscillator circuit input. f = 8.4672 MHz or 16.9344 MHz, depending on the selected mode.
54	XTAO	O	X'tal oscillator circuit input. f = 8.4672 MHz or 16.9344 MHz, depending on the selected mode.
55	MD1	I	Mode selection input 1.
56	MD2	I	Mode selection input 2.
57	MD3	I	Mode selection input 3.
58	SLOB	I	Terminal to input a switching signal for audio data output cord. Serial data output at "H". Parallel data output at "L".
59	PSSL	I	Audio data output mode switching input serial output at "L", and parallel output at "H".
62	DA01	O	Outputs DA01 (parallel audio data, LSB) when PSSL = "H", and C1F1 ¹ when PSSL = "L".
63	DA02	O	Outputs DA02 when PSSL = "H", and C1F2 ¹ when PSSL = "L".
70	DA09	O	Outputs DA09 when PSSL = "H", and PLCK ² when PSSL = "L".
71	DA10	O	Outputs DA10 when PSSL = "H", and UGFS ³ when PSSL = "L".
72	DA11	O	Outputs DA11 when PSSL = "H", and GTOP ⁴ when PSSL = "L".
73	V _{DD}	-	Positive supply voltage: +5 V.
74	DA12	O	Outputs DA12 when PSSL = "H", and RAOV ⁵ when PSSL = "L".
75	DA13	O	Outputs DA13 when PSSL = "H", and C4LR ⁶ when PSSL = "L".
76	DA14	O	Outputs DA14 when PSSL = "H", and C21O ⁷ when PSSL = "L".
77	DA15	O	Outputs DA15 when PSSL = "H", and C21O ⁸ when PSSL = "L".
78	DA16	O	Outputs DA16 (parallel audio data, MSB) when PSSL = "H", and DATA ⁹ when PSSL = "L".
79	WDCK	O	Strobe signal output. 176.4 kHz at DF ON, 88.2 kHz at DF OFF.
80	LRCK	O	Strobe signal output. 88.2 kHz at DF ON, and 44.1 kHz at DF OFF.

- *NOTES: 1. C1F1: C1 decoding error correction condition
C1F2: data monitoring output.
2. PLCK: VCO/2 output. f = 4.3218MHz when locked to the EFM signal.
3. UGFS: Unprotected frame sync pattern output.
4. GTOP: Frame synchronization protected condition indication output.
5. RAOV: ± 4 -frame jitter absorbing I.A.M overflow/under flow indicating output.
6. C4LR: Strobe signal. 352.8 kHz at DF ON, 176.4 kHz at DF OFF.
7. C21O: C210 inverting output.
8. C210: Bit clock output 4.2336 MHz at DF ON, 2.1168 MHz at DF OFF.
9. DATA: Audio signal serial data output.

● SCHEMATIC DIAGRAM (Main Section)



• Design and specifications subject to change without notice for improvement.
 • La présentation et les spécifications sont susceptibles d'être modifiées sans préavis par suites d'améliorations éventuelles.
 • Änderungen, die dem technischen Fortschritt dienen, bleiben vorbehalten.

SYMBOL OF FUNCTION
 (f) RF/SERVO
 (k) POWER AMP
 (m) POWER SUPPLY
 (n) INDICATOR
 (o) SELECTOR
 (p) FIXED PARTS
 (t) CD MECHANISM
 (v) DIGITAL ANALOG
 (w) LOGIC CONTROL

PARTS NO	TYPE NO
FD1, vD52,54	1S2473
MDZ 1,2	05AZ22 Z,R
MDZ 3,4	05AZ26.2 Y,Z
MDZ 6	SEL3210S
MDZ 7,8	05AZ4.7Z, 5,1X
MDZ 9	05AZ39 X,Y
MDZ 10	05AZ5.6 Y,Z
mFT1,1Q 2,3	2SK163 L1,L2
	2SK246 BL
mQ 1,7	2SC3851Y
	2SD1406Y
mQ2, 6, 12	2SC2603F,E
	2SC2458GR,Y
mQ3,R	2SA1488Y,D
	2SB1015Y,O
mQ4,1Q5	2SA1115F,E
mQ11	2SA1048GR,Y
vQ50,51,52,54,55,56	DTC124ES
vQ53	2SA1048Y,GR
	2SA1115E,F

SYMBOL
 △ Ceramic Capacitor
 △ Ceramic (Temperature Compensation)
 ▽ Barrier Layer Capacitor
 ⊕ Polypropylene
 ⊖ Bi-Polar Electrolytic
 ⊕ Polystyrene
 ⊖ Bi-Polar Electrolytic
 ⊕ Tantalum Electrolytic
 ⊖ Non-Inflammable Resistor
 ⊕ Metal-Film Resistor

△ is Safety Part
 Use only replacement parts

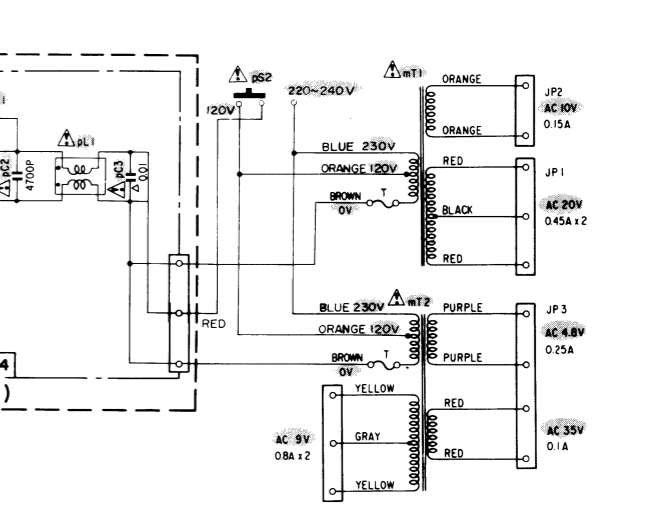
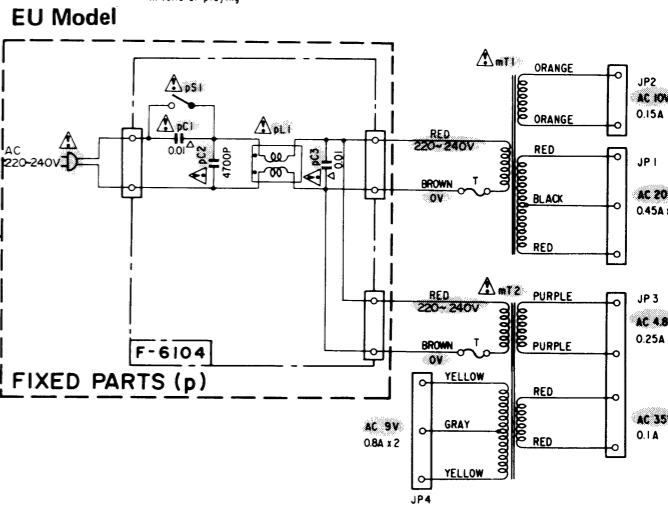
RESISTORS
 Are in ohms, 1/4 Watts, ±5% Tolerance
 Unless Otherwise Noted: k Ω, M Ω

CAPACITORS
 Are in μF, Unless Otherwise Noted: p F

TOLERANCE
 J ±5%, G ±2%, F ±1%

Electrolytic Capacitor
 Capacitance (μF/Volt V)

Each D.C. Voltage shows the nominal value in volts at playing



1

2

3

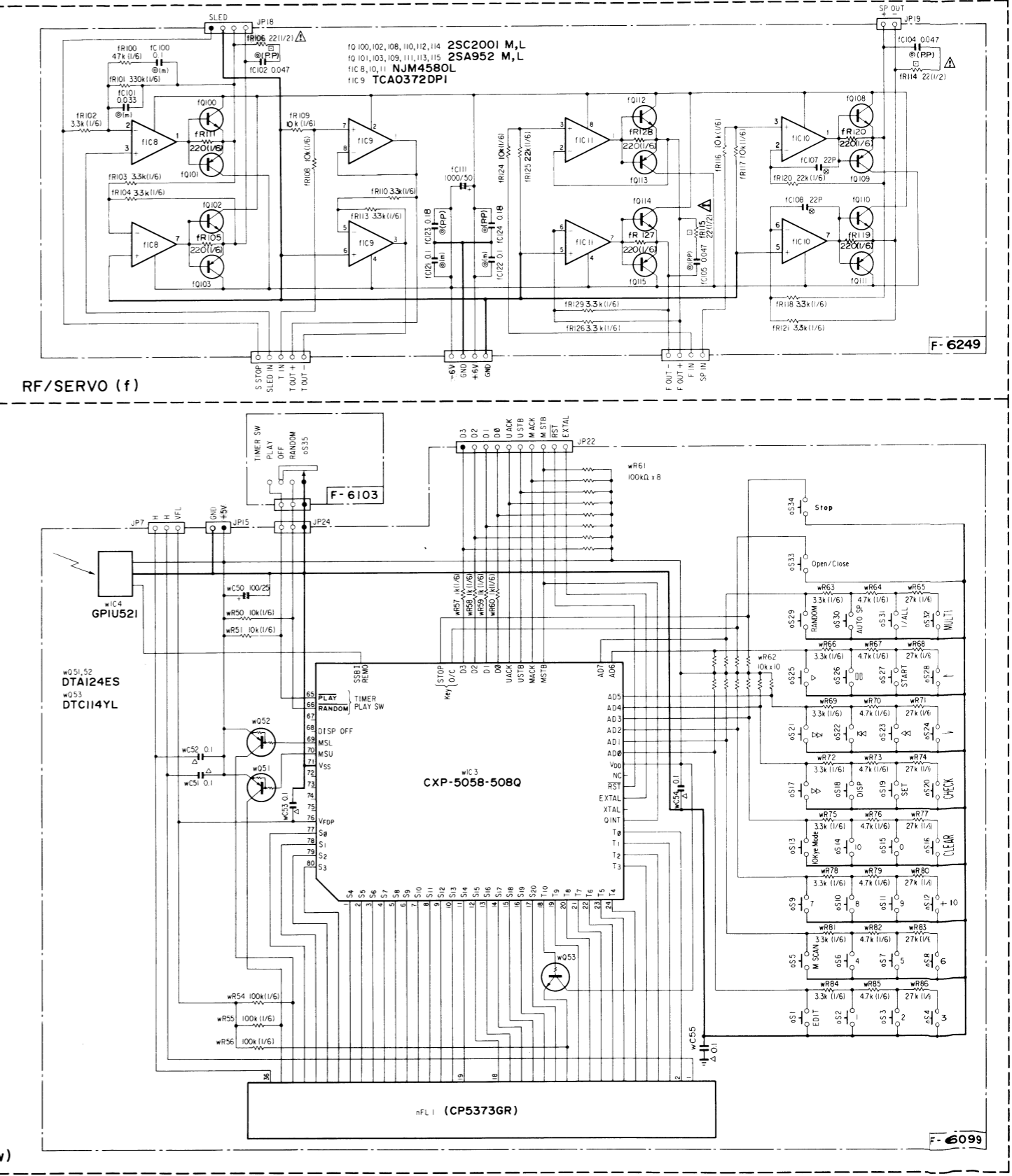
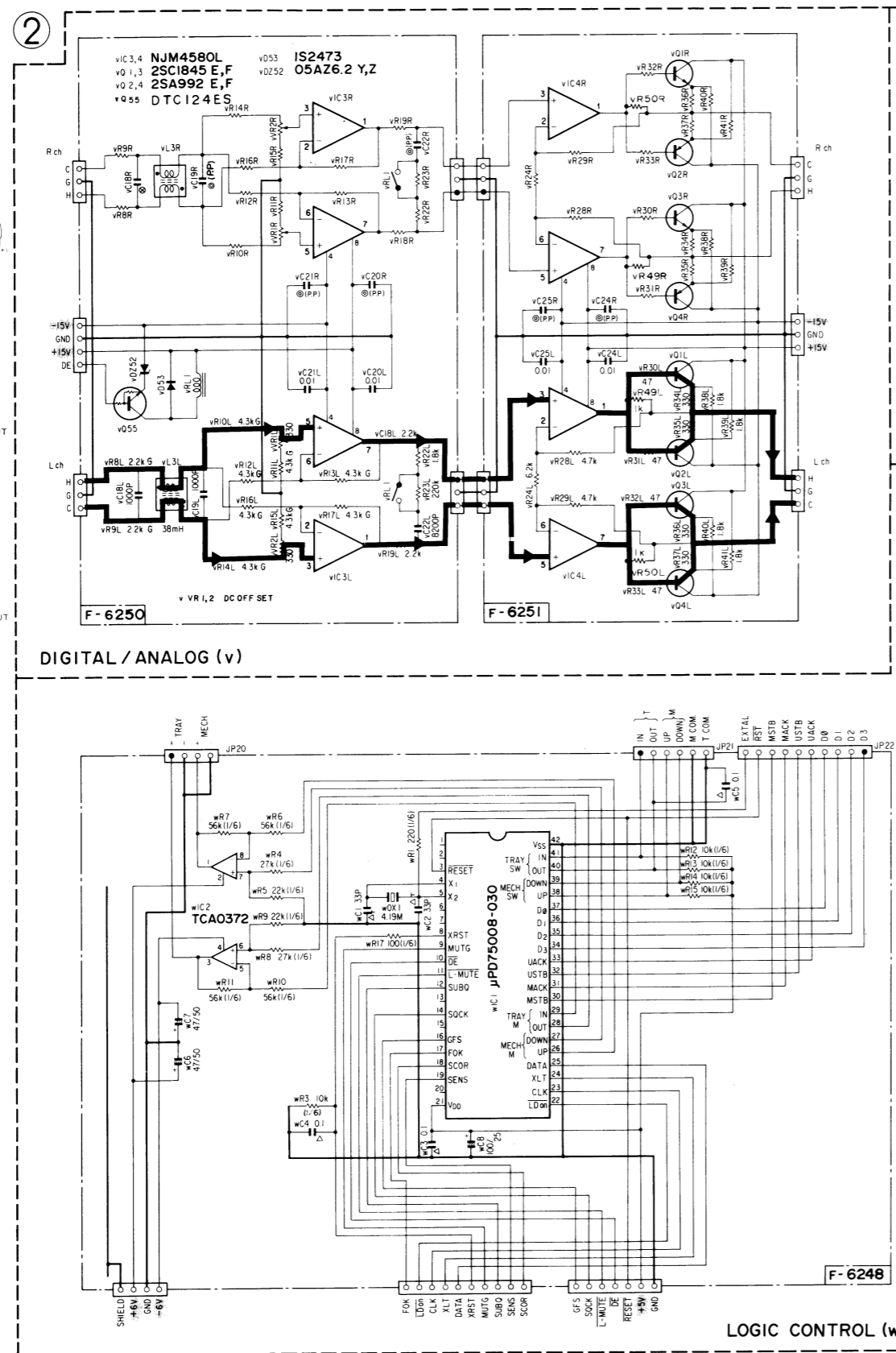
4

5

● SCHEMATIC DIAGRAM (Micro Computer & Analog Output Amp. Section)

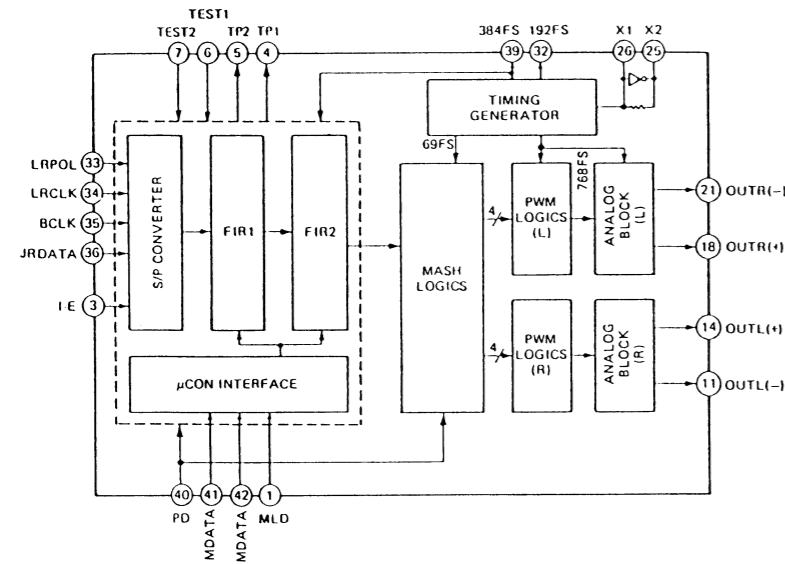
• Design and specifications subject to change without notice for improvement.
 • La présentation et les spécifications sont susceptibles d'être modifiées sans préavis par suites d'améliorations éventuelles.
 • Änderungen, die dem technischen Fortschritt dienen, bleiben vorbehalten.

- RDF02M
- HD74HC74P
- TCA0372DP1
- TC74HCU04AP
- TC74HC74AP
- μPD75008CU
- μPD75008CU
- CXK5816PN-12L
- CXK5816PN-15L
- CXK5816PS-12L
- CXK5816PS-15L
- CXA1081S
- LC3517AL-15
- μPD74HC74C
- 1S2473
- 10DF2
- M5F78M05L
- 05AZ22
- 05AZ39
- 05AZ47
- 05AZ5.6
- 05AZ6.2
- M5F79M05L
- 2SK246
- 2SK163
- CXP5058H-508Q
- CXA1082BQ
- MN6471M
- CXD1125QZ
- 25B1015
- NJM4556L
- NJM4580L
- M5216L
- DTA124ES
- DTC124ES
- 2SC2458
- 25A1488
- 25C3851
- 25D1406



1
2
3
4
5

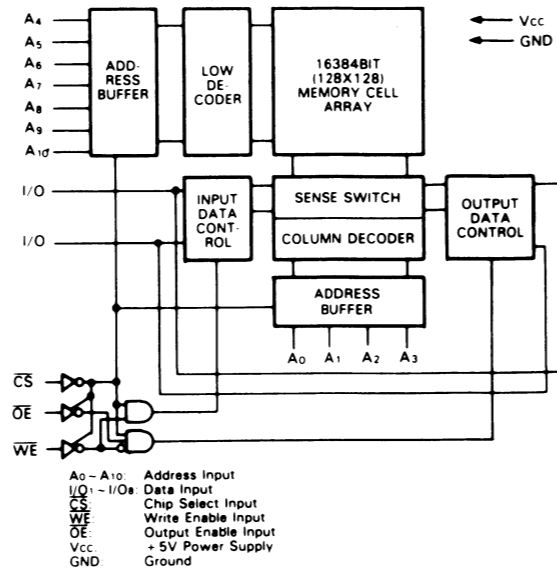
● MN6471M (D/A Converter)



<Function>

Pin No.	Pin Name	Function
1	MLD	Microcomputer command load input (load when at \odot)
2	RSTB	Reset terminal (active when at \odot)
3	IE	When at \odot — Signal processor LSI format When at \ominus — I ² S format
10	AV _{DD4}	Analog system power source terminal 4 (+5 V)
11	OUTL (-)	Left channel antiphase PWM output terminal
12	AV _{SS4}	Analog system ground terminal 4
13	AV _{SS3}	Analog system ground terminal 3
14	OUTL (+)	Left channel normal phase PWM output terminal
15	AV _{DD3}	Analog system power source terminal 3 (+5 V)
17	AV _{DD2}	Analog system power source terminal 2 (+5 V)
18	OUTR (+)	Right channel antiphase PWM output terminal
19	AV _{SS2}	Analog system ground terminal 2
20	AV _{SS1}	Analog system ground terminal 1
21	OUTR (-)	Right channel normal phase PWM output terminal
22	AV _{DD1}	Analog system power source terminal 1 (+5 V)
23	DV _{DD1}	Digital system power source terminal 1 (+5 V)
24	DV _{SS1}	Digital system ground terminal 1
25	X2	X'tal oscillation terminal
26	X1	X'tal oscillation terminal
28	DV _{DD2}	Digital system power source terminal 2 (+5 V)
29	DV _{SS2}	Digital system ground terminal 2
30	NSUB	Connected to D-V _{DD} (silicone PCB potential stabilizer terminal)
32	192FS	192 FS (=8.4672 MHz) output terminal
33	LRPOL	Left/right channel switching terminal (\odot is left channel)
34	LRCLK	LRCLK input terminal LR-POL when at \odot : \odot is left channel data input, LR-POL when at \ominus : \odot is right channel data input.
35	BCLK	Serial input bit clock
36	SRDATA	Serial input data (digital) input terminal
37	DV _{SS3}	Digital system ground terminal 3
38	DV _{DD}	Digital system power source terminal (COM potential stabilizer terminal)
39	384FS	384 FS (16.9344 MHz) output terminal
40	PD	Power down terminal (\odot is active)
41	MDATA	Microcomputer command data input terminal
42	MCLK	Microcomputer command clock input terminal

● CXK5816/LC3517AL (RAM)



◆ Action Mode

CS	OE	WE	CHIP	OUTPUT MODE	CURRENT
H	X	X	Non Select	High Impedance	I _{CCS}
L	H	H	Read	Dout	I _{CCA}
L	L	H	Write	Din	I _{CCA}

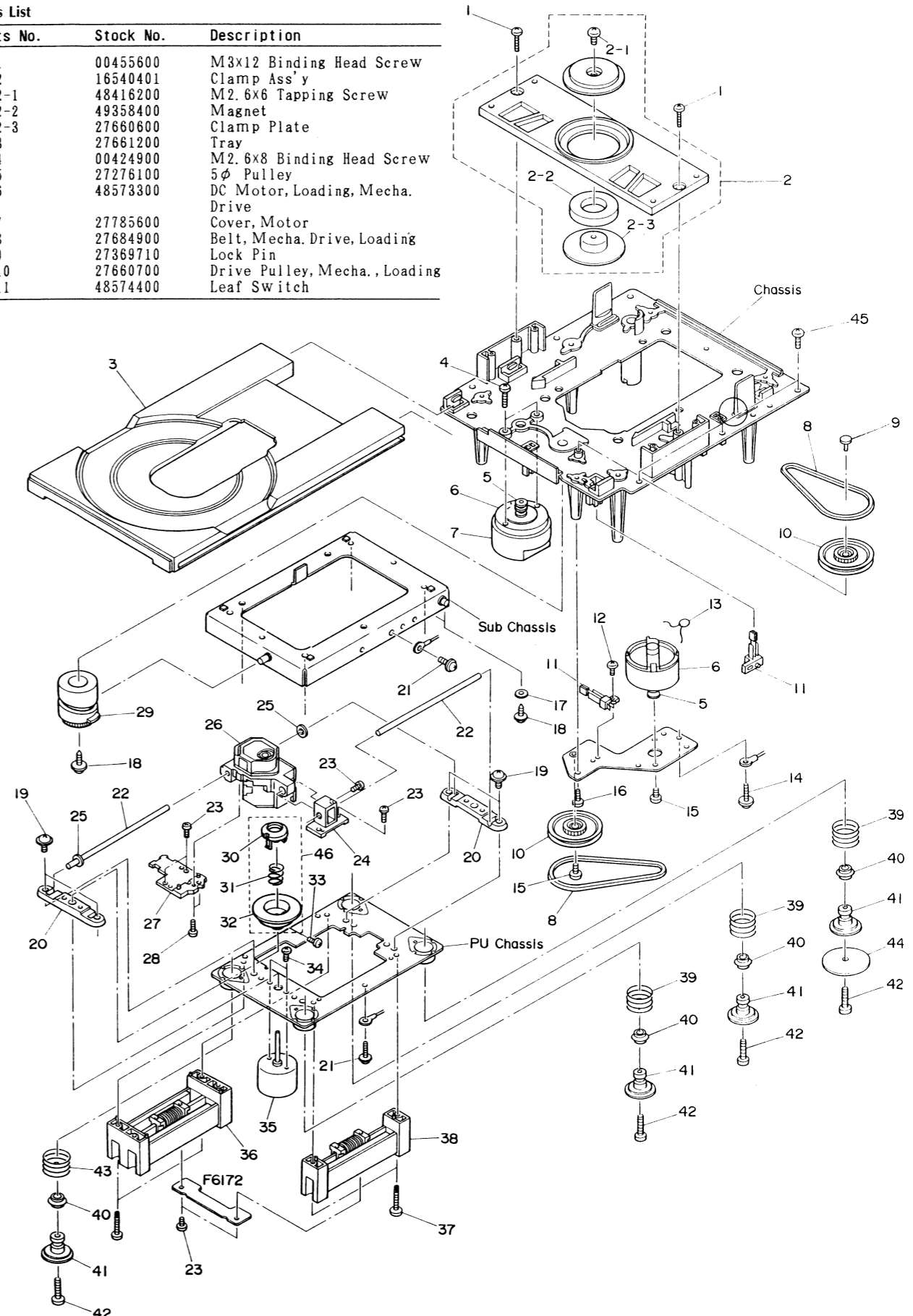
H: High Level
L: Low Level
X: High or Low Level

● CXP5058-508Q (Display Control)

Pin No.	Pin Name	I/O	Description
77-80	S0-S3	O	Terminals for outputting segment signals to FL display.
1-17	S4-S20	O	Terminals for outputting grid signals to FL display.
18-28	T10-T0	O	Terminals for outputting grid signals to FL display.
34	VDD	-	Positive supply voltage: +5V.
35-42	AD0-AD7	I	Terminals for inputting a key return signal from externally connected key matrix.
47	MSTB	I	Terminal to input a timing signal for receiving parallel data from the μ PD75008.
48	MACK	I	Terminal to input a response signal for parallel data from the μ PD75008.
49	USTB	O	Terminal to output a timing signal for parallel data from the μ PD75008.
50	UACK	O	Terminal to output a response signal for receiving parallel data to the μ PD75008.
51-54	D0-D3	I/O	Data bus lines from/to the μ PD75008.
55	D/C	I	Disc tray OPEN/CLOSE (loading) switch input.
56	STOP	I	STOP switch input.
62	RMC	I	Remoto controller signal input.
65	PLAY	I	TIMER PLAY switch signal input.
66	RANDOM	I	RANDOM switch signal input.
69	MSL	O	Terminals for outputting segment signals to FL display (M,S)
70	MSU	O	Terminals for outputting segment signals to FL display (TORTAL M,S)
71	VSS	-	Ground.
76	V _{FDP}	-	Terminal for connecting a supply voltage to filament of FL display.

8. EXPLODED VIEW OF MECHANISM

Parts No.	Stock No.	Description
1	00455600	M3x12 Binding Head Screw
2	16540401	Clamp Ass'y
2-1	48416200	M2.6x6 Tapping Screw
2-2	49358400	Magnet
2-3	27660600	Clamp Plate
3	27661200	Tray
4	00424900	M2.6x8 Binding Head Screw
5	27276100	5φ Pulley
6	48573300	DC Motor, Loading, Mecha. Drive
7	27785600	Cover, Motor
8	27684900	Belt, Mecha. Drive, Loading
9	27369710	Lock Pin
10	27660700	Drive Pulley, Mecha., Loading
11	48574400	Leaf Switch

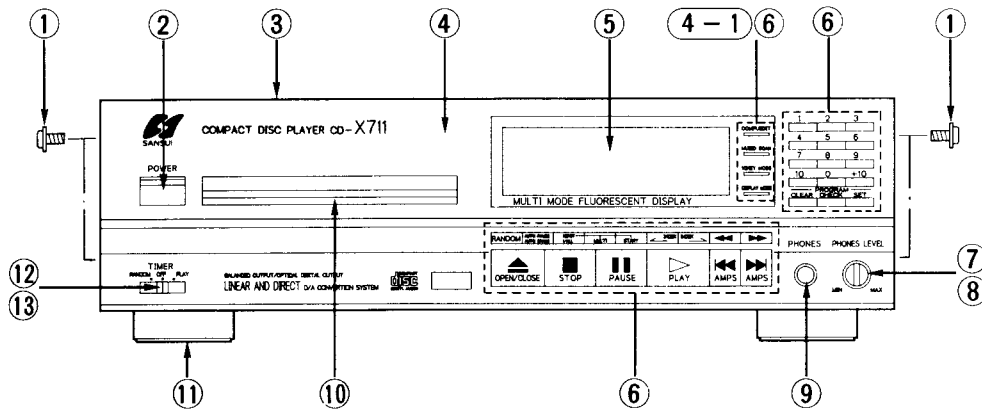


Parts List <Mechanism>

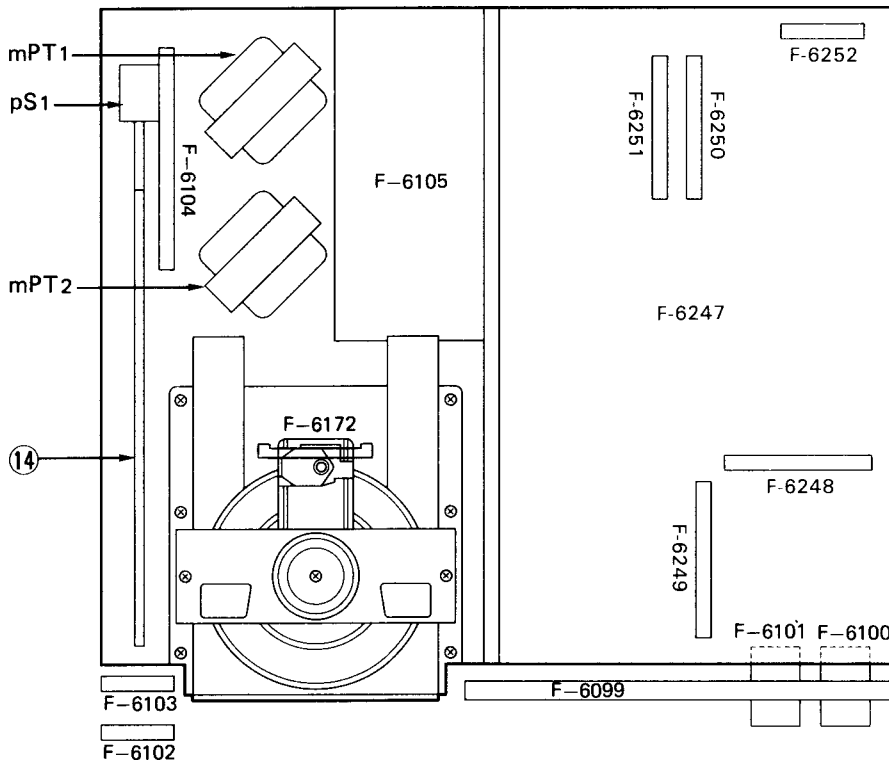
Parts No.	Stock No.	Description	Parts No.	Stock No.	Description
12	00423900	M2x4 Binding Head Screw	28	49450100	M2x6 Tapping Screw
13	07213200	0.01μF 25V C. C.	29	27660910	Cam Ass'y
14	48163700	M3x10 Flange Head Screw	33	18154800	M2x4 Pan Head Screw
15	48371600	M2.6x3 Binding Head Screw	34	46609800	M2x3 Binding Head Screw
16	00455400	M3x8 Tapping Screw	35	48584900	DC Motor, Spindle
17	27733100	Nylon Washer	36	49351900	Drive Unit Ass'y
18	00457500	M3x10 Flange Head Screw	37	49378400	M3x16 Binding Head Screw
19	49266700	M4x5 Flange Head Screw	38	49351800	Detector Unit Ass'y
20	27660500	Rail Holder	39	27690910	Spring, Floating-A
21	46268000	M3x8 Flange Head Screw	40	27280300	Cushion, Floating
22	27685000	Rail	41	27660300	Floating Collar
23	49418800	M2x5 Binding Head Screw	42	00425900	M3x16 Binding Head Screw
24	27659800	Coil Holder-2	43	27691010	Spring, Floating-B(Green)
25	27734200	PU Spacer	44	27736900	Sheet Washer
26	49253600	Pick-up Ass'y	45	46267700	M3x6 Binding Head Screw
27	27659900	Coil Holder-1	46	27810800	Turn Table Ass'y

9. OTHER PARTS (*Other parts list is mentioned on next page.)

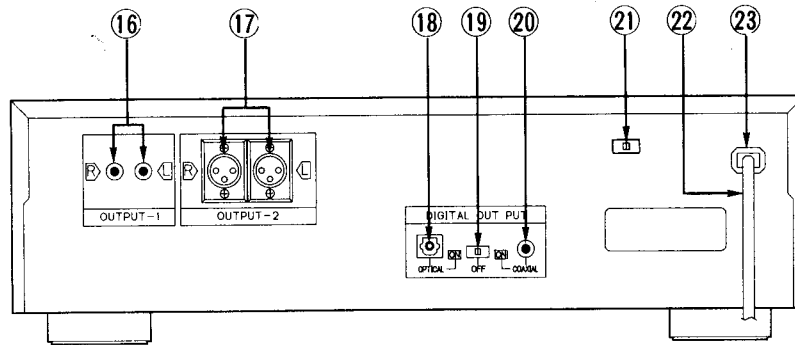
● Front View



● Top View



● Rear View



Parts List

Parts No.	Stock No.	Description
1	46669100	M4X8 Flange Head Screw
2	27693100	Knob, POWER
3	27691700	Bonnet
4	27798410	Front Panel Ass'y <XX•SS>
	27798510	Front Panel Ass'y <EU>
4-1	27693800	Knob COMPU EDIT• MUSICS SCAN•10KEY MODE• DISPLAY MODE
5	49350700	FL Display Tube, CP5373GR
6	49326300	Tact SW., COMPU EDIT• MUSICS SCAN•10KEY MODE• DISPLAY MODE•10KEY• PROGRAM•AMPS•PLAY•STOP• PAUSE•OPEN/CLOSE
7	27692900	Knob, PHONES LEVEL
8	49395600	20kΩ V. R., PHONES LEVEL
9	48831300	Jack, PHONES
10	27682100	Tray Panel
11	27723200	Leg
12	27693000	Knob, TIMER

Parts No.	Stock No.	Description
13	49357300	Slide SW., TIMER
14	27693200	Joint Shaft Ass'y, POWER SW.
16	49374800	2P Terminal, OUTPUT-1
17	49255200	Neutral Connector, OUTPUT-2
18	49352600	Optical Module with Plug
19	48834900	Slide SW., DIGITAL OUT
20	49443600	1P Terminal, COAXIAL
△ 21	07204700	Slide Switch, Voltage selector <XX•SS>
△ 22	46321000	Power Supply Cord <XX>
△	48837700	Power Supply Cord <SS>
△	38004500	Power Supply Cord <EU>
23	48913500	Strain Relief
△ mPT1	15033801	Power Transformer <XX•SS>
△	15033805	Power Transformer <EU>
△ mPT2	15033901	Power Transformer <XX•SS>
△	15033905	Power Transformer <EU>
△ pS1	48846300	Push SW., POWER

10. ACCESSORY LIST

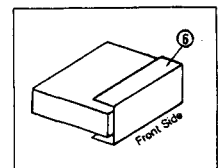
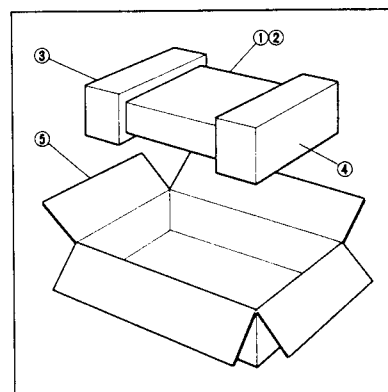
Stock No.	Description
07193400	Pin Plug Cord
19057100	Operating Instructions <*E•F•S>
19057200	Operating Instructions <*G•I•Sw>
_____	Remote Controller, RS-1110
_____	Dry Battery SUM-3K

*Note:

E•F•S: English•French and Spanish Version
G•I•Sw: German•Italian and Swedish Version

11. PACKING LIST

Parts No.	Stock No.	Description
1	47859600	Vinyl Bag
2	47428000	Sheet
3	27822400	Styrofoam Packing (Left)
4	27822300	Styrofoam Packing (Right)
5	27798800	Carton Case
6	27417500	Protector Sheet for panel.



SANSUI ELECTRIC CO., LTD.:

SANSUI ELECTRONICS CORPORATION:

SANSUI ELECTRONICS G.M.B.H.:

山水電気株式会社

14-1, Izumi 2-chome, Suginami-ku Tokyo 168 Japan
PHONE: (03) 324-8891/TELEX: 232-2076 (International Division)
1250 Valley Brook Ave. Lyndhurst, N.J. 07071 U.S.A.
17150 South Margay Ave. Carson, California 90746 U.S.A.

Paul Ehrlich Strasse 8, 6074 Rödermark 2, West Germany

東京都杉並区和泉2-14-1(〒168)